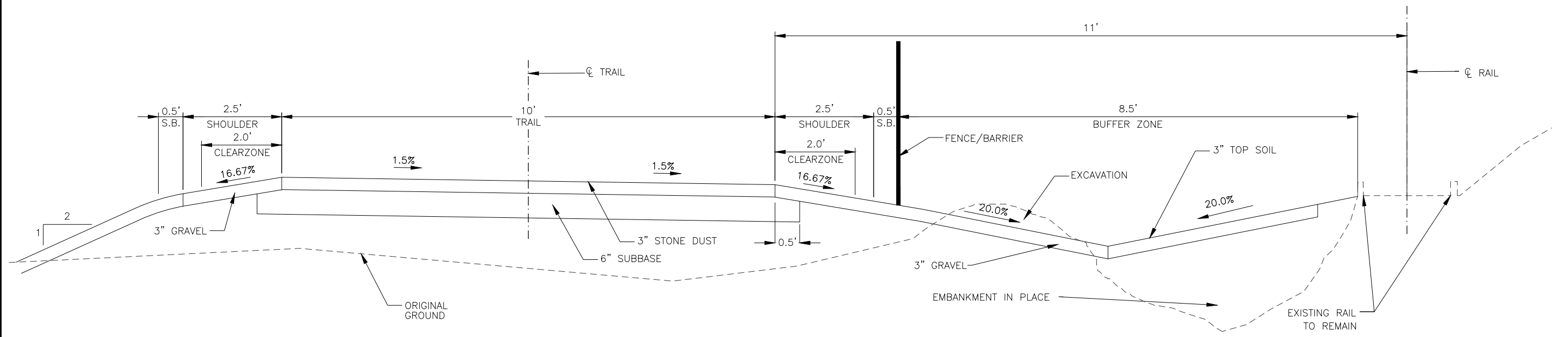


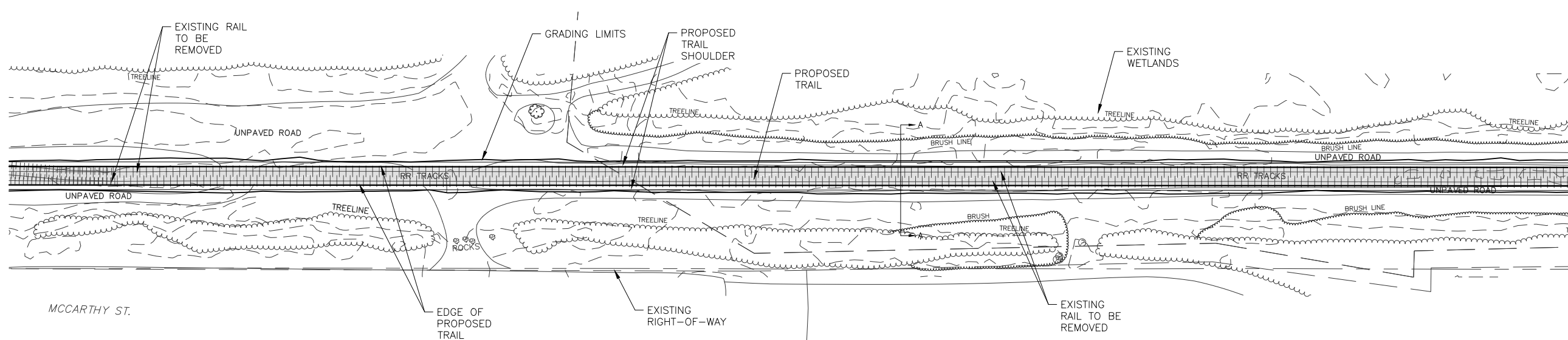
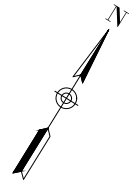
ALTERNATIVE 1 - TYPICAL ACTIVE SECTION PLAN



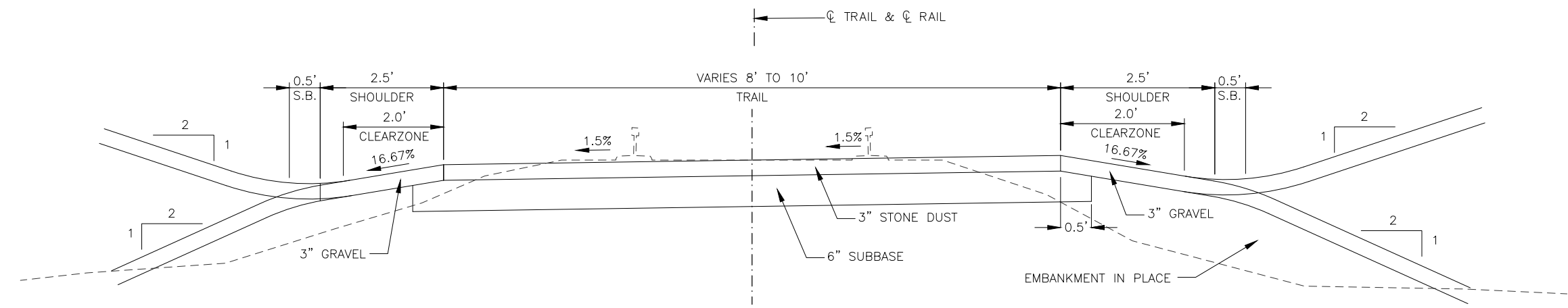
ALTERNATIVE 1 - TYPICAL ACTIVE SECTION A-A

FILE NAME = \$FILES\$
 DATE/TIME = \$DATE\$
 USER = \$USER\$

ALTERNATIVE 1		
LAKE PLACID TRAIL ESSEX COUNTY, NEW YORK		
PROJECT: 116-313	DATE: 01/2019	FIGURE: 1




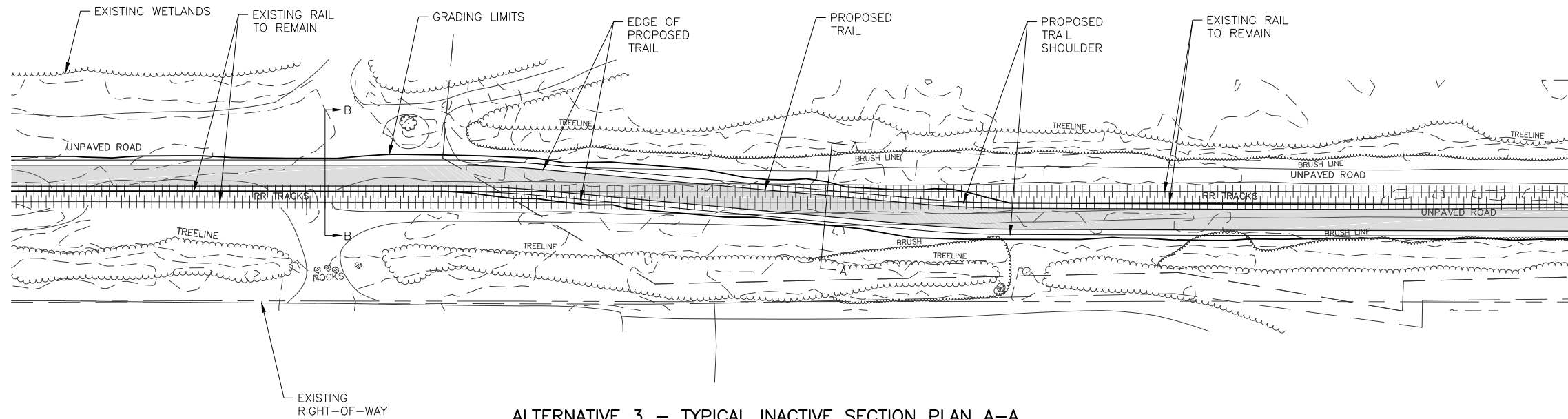
ALTERNATIVE 2 – RAIL REMOVAL TYPICAL PLAN SECTION



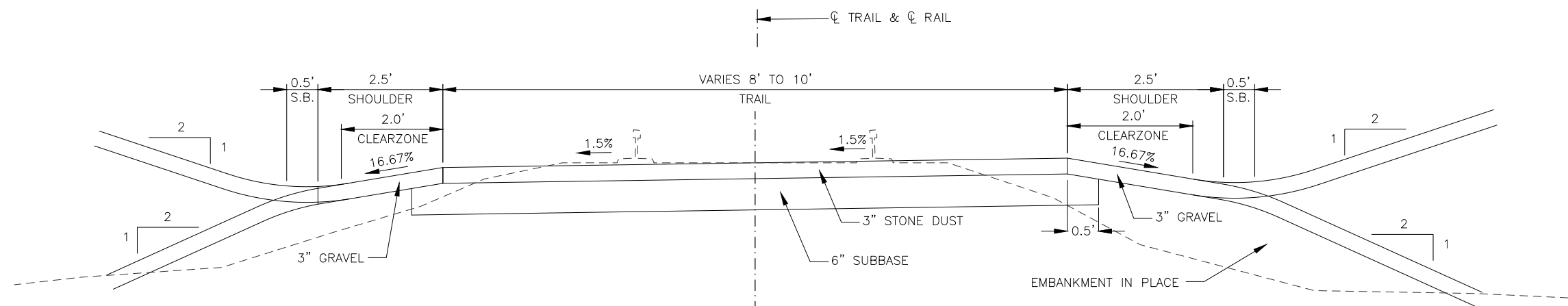
ALTERNATIVE 2 – RAIL REMOVAL TYPICAL SECTION A-A

FILE NAME = \$FILES\$
 DATE/TIME = \$DATE\$ \$TIME\$
 USER = \$USER\$

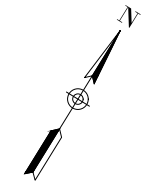
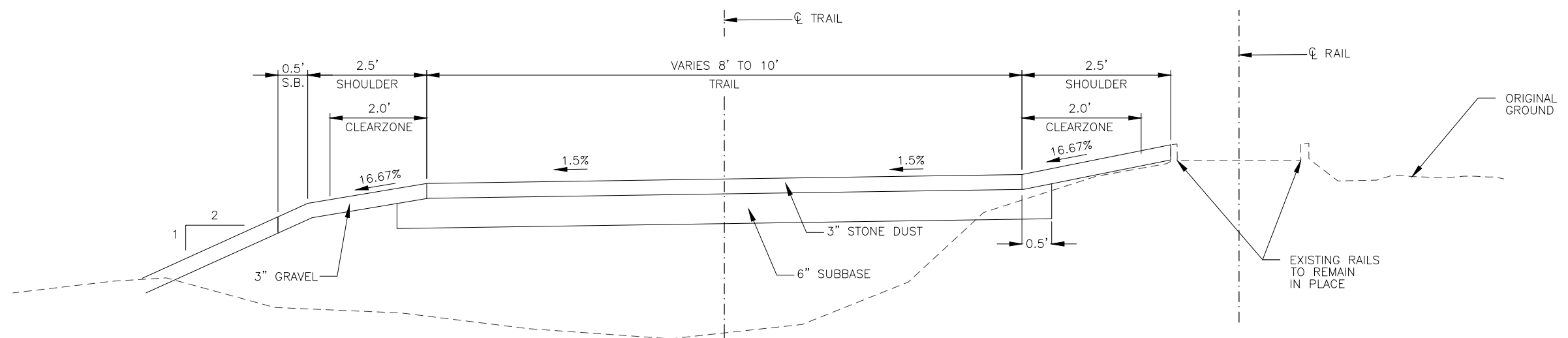
ALTERNATIVE 2		
LAKE PLACID TRAIL ESSEX COUNTY, NEW YORK		
PROJECT: 116-313	DATE: 01/2019	FIGURE: 2




ALTERNATIVE 3 – TYPICAL INACTIVE SECTION PLAN A-A



ALTERNATIVE 3 – RAIL REMOVAL TYPICAL SECTION B-B



FILE NAME = \$FILES\$
 DATE/TIME = \$DATE\$ \$TIME\$
 USER = \$USER\$

ALTERNATIVE 3		
LAKE PLACID TRAIL ESSEX COUNTY, NEW YORK		
PROJECT: 116-313	DATE: 01/2019	FIGURE: 3