

NEW YORK STATE OF OPPORTUNITY
Adirondack Park Agency
RECEIVED
 Date: December 16, 2021

NEW YORK STATE OF OPPORTUNITY
Adirondack Park Agency
FINAL
 P2021-0247

PIVOT SOLAR NY 5

TOWN OF TICONDEROGA, ESSEX COUNTY, NEW YORK

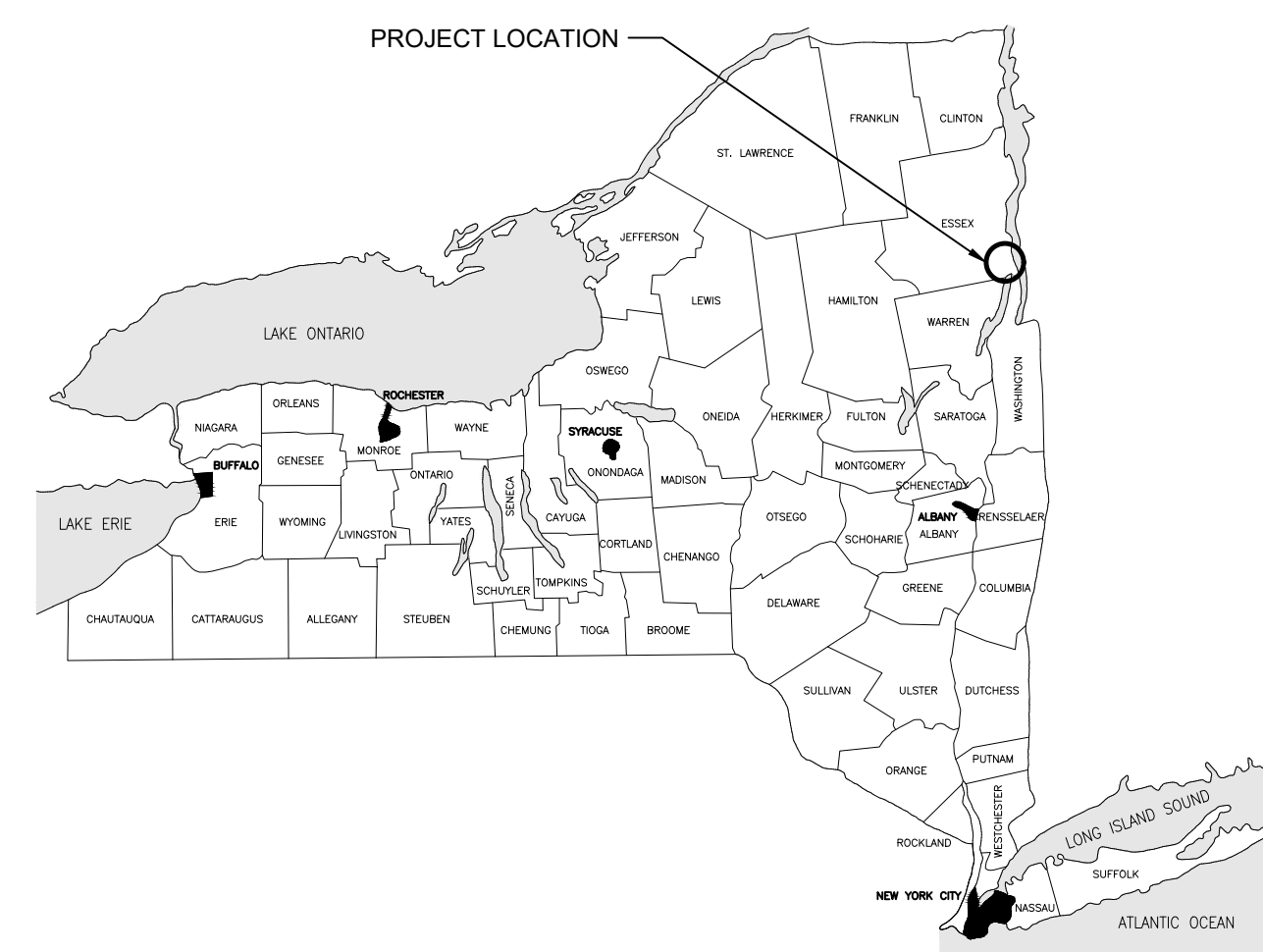
OCTOBER 13, 2021

EDR JOB # 20201

APA SUBMISSION

FOR PERMITTING ONLY
 12/2/2021
 NOT FOR CONSTRUCTION

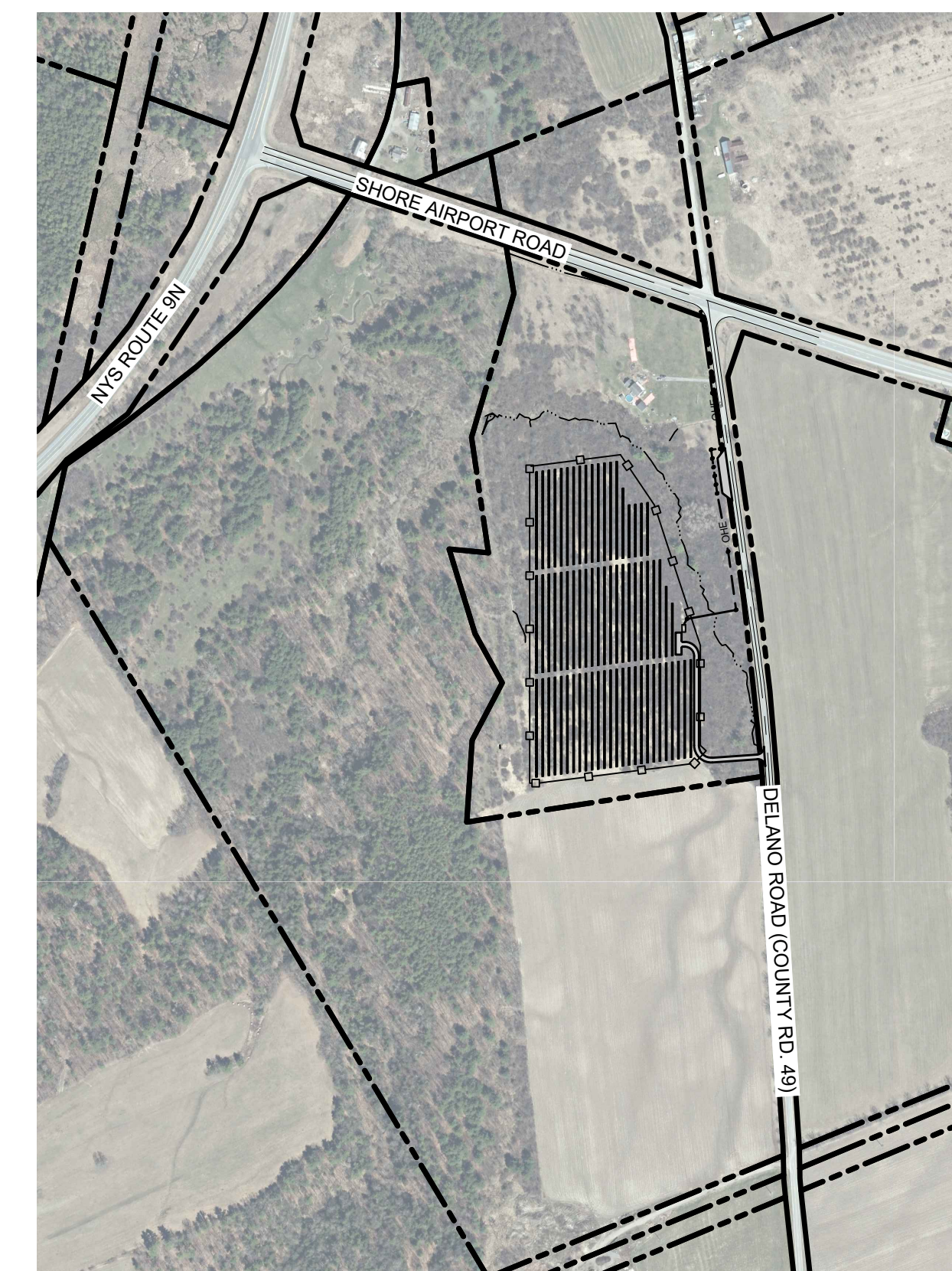
NYS PROJECT LOCATION MAP



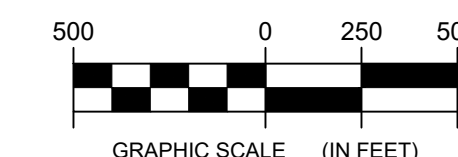
SCALE: NTS



PROJECT IMAGE / MAP



Scale: 1" = 500'



DRAWING INDEX:

- G-000 COVER SHEET
- G-001 GENERAL NOTES AND LEGENDS
- C-001 EXISTING CONDITIONS PLAN
- C-101 SITE LAYOUT PLAN
- C-102 FENCE LAYOUT PLAN
- C-103 SITE PLAN ENLARGEMENTS
- C-201 GRADING AND EROSION & SEDIMENT CONTROL PLAN
- C-401 PLANTING PLAN
- C-601 DETAILS
- C-602 DETAILS
- C-603 DETAILS

PREPARED FOR:



PREPARED BY:



Environmental Design & Research,
 Landscape Architecture, Engineering
 & Environmental Services, D.P.C.
 217 Montgomery Street, Suite 1000
 Syracuse, New York 13202
 P. 315.471.0688

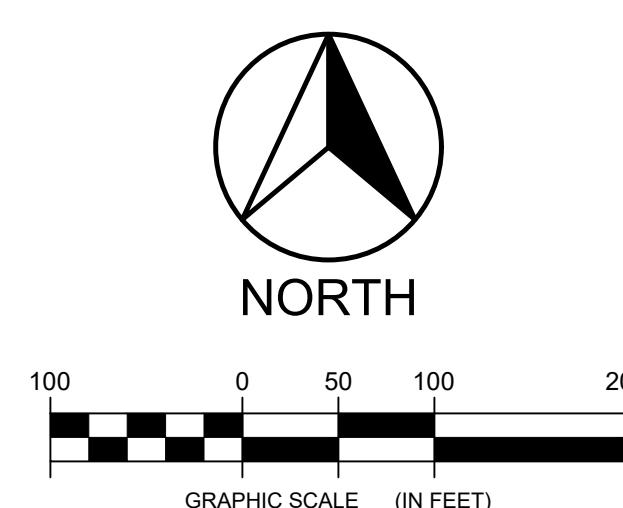
Date Printed: 12/22/2021 12:04:14 PM

J:\2021\Edras Solar\Delano\Delano.dwg 00 000000.dwg



EXISTING LEGEND	
SYMBOL	ITEM
	EXISTING MAJOR CONTOUR LINE
	EXISTING MINOR CONTOUR LINE
	PROPERTY LINE
	PROPERTY SETBACK
	DELINEATED STREAM CENTERLINE
	DELINEATED WETLAND

FOR PERMITTING ONLY
12/2/2021
NOT FOR CONSTRUCTION



EDR
a better environment
Environmental Design & Research,
Landscape Architecture, Engineering & Environmental Services, D.P.C.
217 Montgomery Street, Suite 1000
Syracuse, New York 13202
P. 315.471.0688



DRAWING REVISIONS			
NO.	DATE	REVISION	BY
1	10/13/2021	ISSUED FOR PERMITTING	ZTR
2	12/22/2021	VARIOUS REVISIONS PER APP COMMENTS	ZTR
3			
4			

PROJECT TITLE:	PIVOT SOLAR NY 5
PROJECT LOCATION:	TOWN OF TICONDEROGA, ESSEX COUNTY, NEW YORK
CLIENT:	PIVOT ENERGY
DRAWING TITLE:	EXISTING CONDITIONS PLAN

DATE:	OCTOBER 13, 2021
SCALE:	1" = 100'
EDR Job#: 20201	
DRAWN BY:	ZTR
FILE NAME:	C-000 SERIES.dwg
DRAWING NUMBER:	C-001



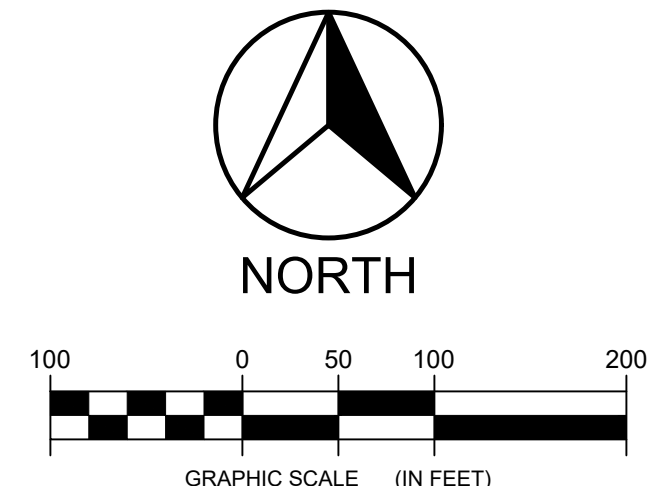
SITE PLAN LINE LEGEND	
SYMBOL	ITEM
---	PROPERTY LINE
- - -	SETBACK LINE
---	CENTERLINE
○-○-○-○-○-○	FENCE
--- O --- O --- O --- O --- O --- O ---	ELECTRIC - OVERHEAD
---	ELECTRIC - UNDERGROUND

MATERIALS SYMBOL LEGEND			
SYMBOL	ITEM	DETAIL #	SHEET #
[Pattern]	ACCESS ROAD	6	C-601
∅	UTILITY POLE	-	-

NEW YORK STATE OF OPPORTUNITY
Adirondack Park Agency
RECEIVED
 Date: December 16, 2021

NEW YORK STATE OF OPPORTUNITY
Adirondack Park Agency
FINAL
 P2021-0247

FOR PERMITTING ONLY
 12/2/2021
 NOT FOR CONSTRUCTION



EDR
 a better environment
Environmental Design & Research,
 Landscape Architecture, Engineering & Environmental Services, D.P.C.
 217 Montgomery Street, Suite 1000
 Syracuse, New York 13202
 P. 315.471.0688



0201 Environmental Design & Research, Landscape Architecture, Engineering & Environmental Services, D.P.C. The following is prepared from the New York Education Law, Section 1707(2)(b), and applies to this drawing. It is a condition of this contract that the client shall be responsible for obtaining all necessary permits and approvals from the appropriate governmental agencies. The client shall be responsible for obtaining all necessary permits and approvals from the appropriate governmental agencies. The client shall be responsible for obtaining all necessary permits and approvals from the appropriate governmental agencies. The client shall be responsible for obtaining all necessary permits and approvals from the appropriate governmental agencies.

DRAWING REVISIONS	NO.	DATE	REVISION	ISSUED FOR PERMITTING	VARIOUS REVISIONS PER APP COMMENTS	BY
	1	10/13/2021				ZTR
	2	12/2/2021				ZTR

PROJECT TITLE: **PIVOT SOLAR NY 5**
 PROJECT LOCATION: **TOWN OF TICONDEROGA, ESSEX COUNTY, NEW YORK**
 CLIENT: **PIVOT ENERGY**
 DRAWING TITLE: **OVERALL SITE PLAN**

DATE: **OCTOBER 13, 2021**
 SCALE: **1" = 100'**
 EDR Job#: **20201**
 DRAWN BY: **ZR**
 FILE NAME: **C-100 SERIES.dwg**
 DRAWING NUMBER: **C-101**

Date Printed: 12/22/2021 12:53:36 PM

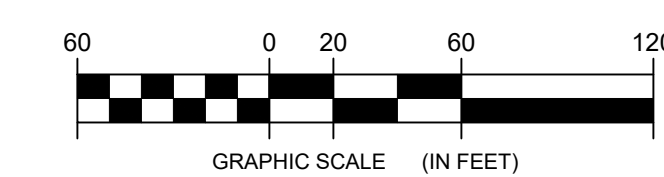
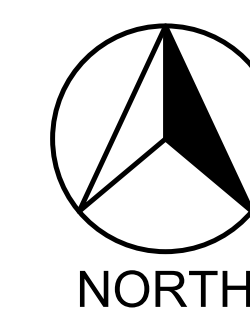
J:\2021\1000\Solar\Delano\Delano.dwg, 1000 588585.dwg



SITE PLAN LINE LEGEND	
SYMBOL	ITEM
	PROPERTY LINE
	SETBACK LINE
	CENTERLINE
	FENCE
	ELECTRIC - OVERHEAD
	ELECTRIC - UNDERGROUND

MATERIALS SYMBOL LEGEND			
SYMBOL	ITEM	DETAIL #	SHEET #
	ACCESS ROAD	6	C-601
	UTILITY POLE	-	-

FOR PERMITTING ONLY
12/2/2021
NOT FOR CONSTRUCTION



EDR
a better environment
Environmental Design & Research,
Landscape Architecture, Engineering & Environmental Services, D.P.C.
217 Montgomery Street, Suite 1000
Syracuse, New York 13202
P. 315.471.0688



2021 Environmental Design & Research, Landscape Architecture, Engineering & Environmental Services, D.P.C. The following is prepared from the New York Education Law § 2201(2)(a) and the Professional Service Law § 139(1)(a) and applies to the drawing. The inclusion of this notice does not constitute a representation or warranty of any kind, and the inclusion of this notice does not constitute an admission of liability. The inclusion of this notice does not constitute an admission of liability. The inclusion of this notice does not constitute an admission of liability.

DRAWING REVISIONS	
NO.	DATE
1	10/13/2021
2	12/2/2021

PROJECT TITLE:	PIVOT SOLAR NY 5
PROJECT LOCATION:	TOWN OF TICONDEROGA, ESSEX COUNTY, NEW YORK
CLIENT:	PIVOT ENERGY
DRAWING TITLE:	FENCE LAYOUT PLAN

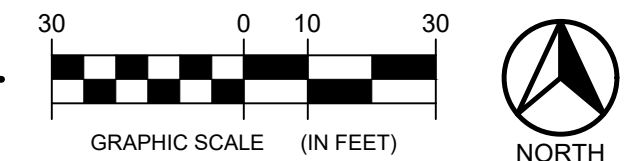
DATE:	OCTOBER 13, 2021
SCALE:	1" = 60'
EDR Job#: 20201	
DRAWN BY:	ZR
FILE NAME:	C-100 SERIES.dwg
DRAWING NUMBER:	C-102



1 ACCESS ROAD ENLARGEMENT PLAN
Scale: 1" = 30'



2 ELECTRIC POLE PULL OFF AREA ENLARGEMENT
Scale: 1" = 30'



SITE PLAN LINE LEGEND	
SYMBOL	ITEM
---	PROPERTY LINE
---	SETBACK LINE
---	CENTERLINE
○-○-○-○-○	FENCE
---	ELECTRIC - OVERHEAD
---	ELECTRIC - UNDERGROUND

MATERIALS SYMBOL LEGEND			
SYMBOL	ITEM	DETAIL #	SHEET #
█	ACCESS ROAD	6	C-601
○	UTILITY POLE	-	-

FOR PERMITTING ONLY
12/2/2021
NOT FOR CONSTRUCTION

EDR
a better environment
Environmental Design & Research,
Landscape Architecture, Engineering & Environmental Services, D.P.C.
217 Montgomery Street, Suite 1000
Syracuse, New York 13202
P. 315.471.0688



©2021 Environmental Design & Research, Landscape Architecture, Engineering & Environmental Services, D.P.C. The drawing is prepared from the New York Education Law § 200.1-a, which requires that the drawing be prepared by a professional engineer or architect. The drawing is not to be used for any other purpose without the written consent of the professional engineer or architect. The drawing is not to be used for any other purpose without the written consent of the professional engineer or architect. The drawing is not to be used for any other purpose without the written consent of the professional engineer or architect.

DRAWING REVISIONS	
NO.	DATE
1	10/13/2021
2	12/02/2021

PROJECT TITLE: **PIVOT SOLAR NY 5**
PROJECT LOCATION: **TOWN OF TICONDEROGA, ESSEX COUNTY, NEW YORK**
CLIENT: **PIVOT ENERGY**
DRAWING TITLE: **SITE PLAN ENLARGEMENTS**

DATE: **OCTOBER 13, 2021**
SCALE: **AS NOTED**
EDR Job#: **20201**
DRAWN BY: **ZR**
FILE NAME: **C-100 SERIES.dwg**
DRAWING NUMBER: **C-103**

Date Printed: 10/20/2021 12:51:11 PM

J:\2021\1\Edison Solar\Working Drawings\C-200 SERIES.dwg



GRADING LEGEND	
SYMBOL	ITEM
	CONTOUR - FINISHED
	CONTOUR - FINISHED - INDEX

EROSION CONTROL LINE LEGEND	
SYMBOL	ITEM
	SILT FENCE
	COMPOST FILTER SOCK
	VEGETATION PROTECTION

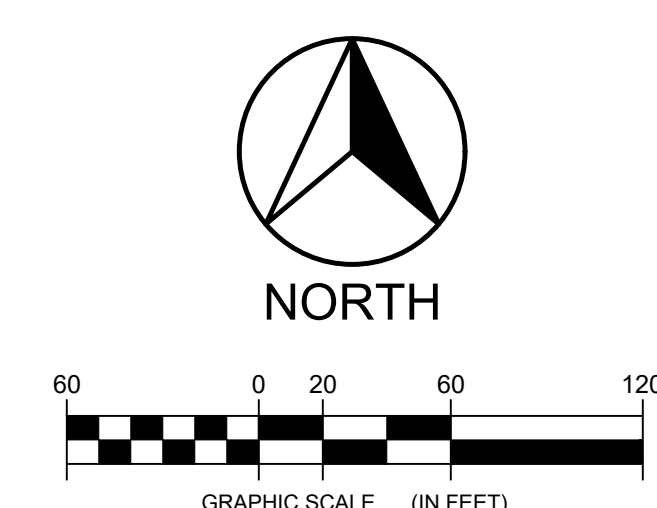
EROSION CONTROL SYMBOL LEGEND			
SYMBOL	ITEM	DETAIL #	SHEET #
	STABILIZED CONSTRUCTION ENTRANCE	1	C-601
	PREFABRICATED CHECK DAM	2	C-602
	OUTLET PROTECTION - DUMPED (DP)	5	C-602
	SLOPE STABILIZATION	3	C-602
	VEGETATED FILTER STRIP	6	C-601

UTILITY LINE LEGEND	
SYMBOL	ITEM
	STORM DRAINAGE W/ END SECTION
	ELECTRIC - OVERHEAD
	ELECTRIC - UNDERGROUND

SOLAR ARRAY MAXIMUM SLOPES	
SLOPE ASPECT	MAX. SLOPE
NORTH	5.0%
SOUTH	10.0%
EAST	10.0%
WEST	10.0%

- NOTES:
- ALL DISTURBED AREAS WITH SLOPES 1V:3H AND STEEPER SHALL BE STABILIZED WITH ROLLED EROSION CONTROL PRODUCT (RECP). SEE DETAIL 3 ON SHEET C-602.

FOR PERMITTING ONLY
12/2/2021
NOT FOR CONSTRUCTION



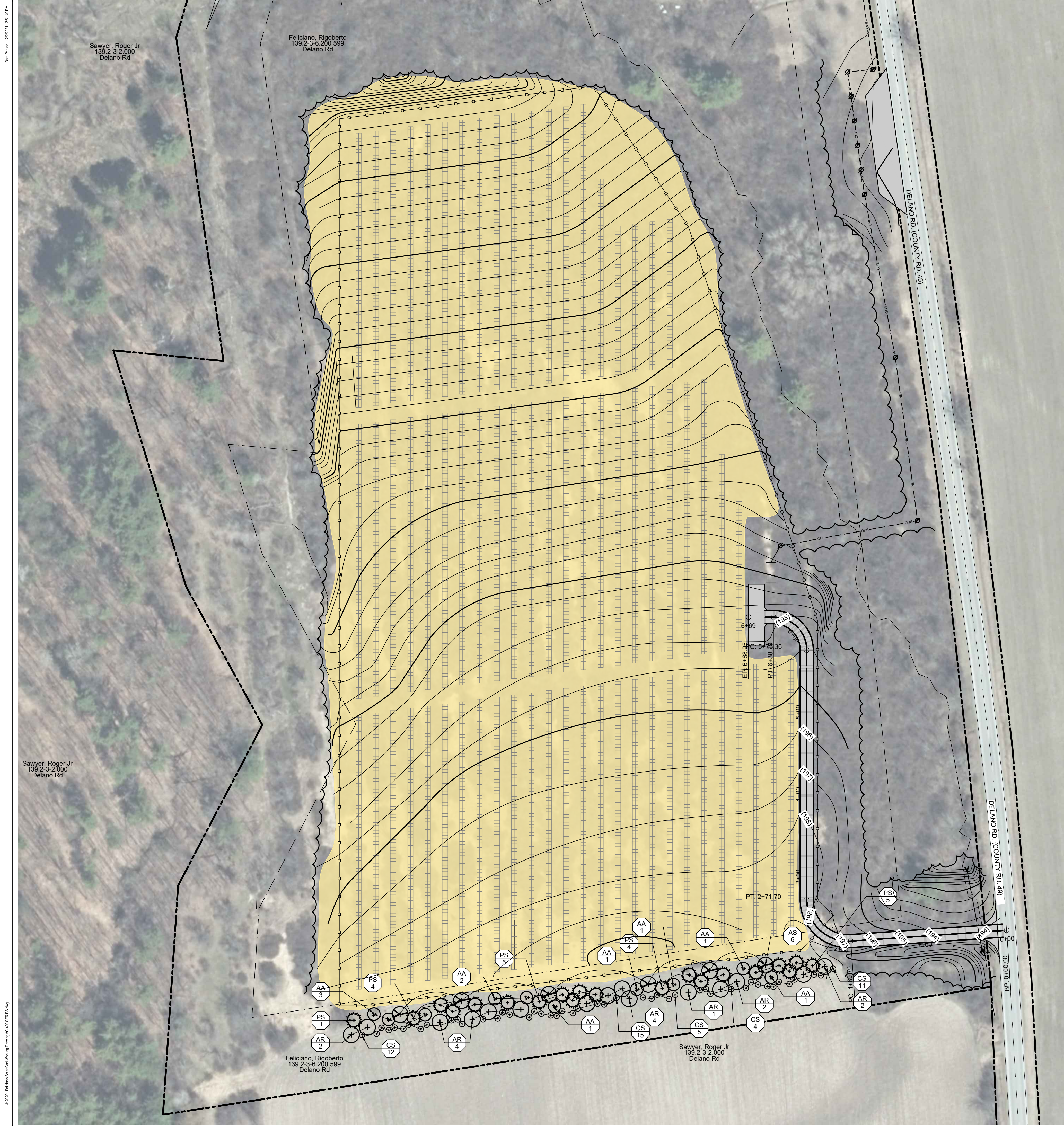
EDR
a better environment
Environmental Design & Research,
Landscape Architecture, Engineering & Environmental Services, D.P.C.
217 Montgomery Street, Suite 1000
Syracuse, New York 13202
P. 315.471.0688



DRAWING REVISIONS			
NO.	DATE	REVISION	BY
1	10/19/2021	ISSUED FOR PERMITTING	ZTR
2	10/22/2021	VARIOUS REVISIONS PER APP COMMENTS	ZTR

PROJECT TITLE: **PIVOT SOLAR NY 5**
PROJECT LOCATION: **TOWN OF TICONDEROGA, ESSEX COUNTY, NEW YORK**
CLIENT: **PIVOT ENERGY**
DRAWING TITLE: **GRADING AND EROSION & SEDIMENT CONTROL PLAN**

DATE:	OCTOBER 13, 2021
SCALE:	1" = 60'
EDR Job#: 20201	
DRAWN BY:	EG_ZR
FILE NAME:	C-200 SERIES.dwg
DRAWING NUMBER:	C-201



PLANT LIST - TREES						
KEY	QTY.	BOTANICAL NAME	COMMON NAME	SIZE	ROOT	COMMENTS
AA	10	AMELANCHIER ARBOREA (MULTI-STEM)	SERVICE BERRY	5-6' HT	BALL & BURLAP	MULTI-STEM HABIT
AR	15	ACER RUBRUM	RED MAPLE	2"-2.5" CAL.	BALL & BURLAP	
AS	6	ACER SACCHARUM	SUGAR MAPLE	2"-2.5" CAL.	BALL & BURLAP	
PS	19	PINUS STROBUS	EASTERN WHITE PINE	8' HT	BALL & BURLAP	

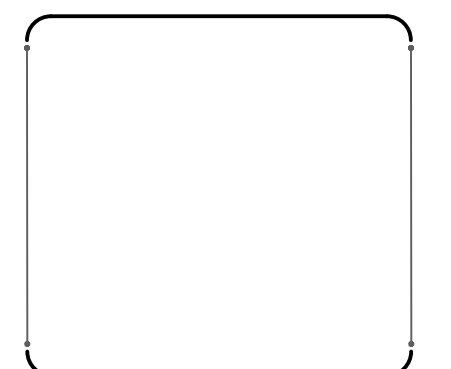
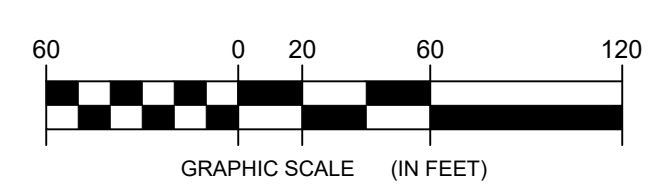
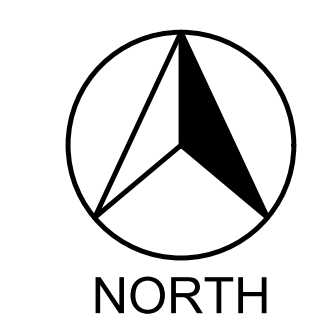
PLANT LIST - SHRUBS						
KEY	QTY.	BOTANICAL NAME	COMMON NAME	SIZE	ROOT	COMMENTS
CS	47	CORNUS SERICEA	RED OSIER DOGWOOD	#3	CONT.	

PLANTING LINE LEGEND	
SYMBOL	ITEM
	EDGE OF TREES / BRUSH

PLANTING SYMBOL LEGEND	
SYMBOL	ITEM
	DECIDUOUS TREE
	DECIDUOUS TREE - MULTI-STEM
	EVERGREEN TREE
	DECIDUOUS SHRUB
	DISTURBED AREAS SHALL BE SEEDDED WITH MIX BENEFICIAL TO POLLINATORS AND GRAZING, ERNST FUZZ & BUZZ MIX-STANDARD OR EQUIVALENT. SEE BELOW FOR ADDITIONAL SEED MIX INFORMATION.

- ERNST FUZZ & BUZZ - STANDARD SEED MIX:**
- 26.4% LOLIUM PERENNE, 'CRAVE', TETRAPLOID (PERENNIAL RYEGRASS, 'CRAVE', TETRAPLOID)
 - 20.8% DACTYLIS GLOMERATA, 'PENNLATE' (ORCHARDGRASS, PENNLATE)
 - 18.9% POA PRATENSIS, 'GINGER' (KENTUCKY BLUEGRASS, 'GINGER' (PASTURE TYPE))
 - 17.0% FESTUCA ELATIOR (MEADOW FESCUE)
 - 5.7% TRIFOLIUM HYBRIDUM (ALSIKE CLOVER)
 - 4.8% TRIFOLIUM PRATENSE, MEDIUM, VARIETY NOT STATED (RED CLOVER, MEDIUM)
 - 2.0% LOTUS CORNICULATUS, 'LEO' (BIRD'S FOOT TREFLOIL, 'LEO')
 - 1.3% CICHORIUM INTYBUS (BLUE CHICORY)
 - 1.0% CHRYSANTHEMUM LEUCANTHEMUM (OXEYE DAISY)
 - 0.9% COREOPSIS LANCEOLATA (LANCELEAF COREOPSIS)
 - 0.8% CHAMAECRISTA FASCICULATA, PA ECOTYPE (PARTRIDGE PEA, PA ECOTYPE)
 - 0.4% SOLIDAGO NEMORALIS, PA ECOTYPE (GRAY GOLDENROD, PA ECOTYPE)

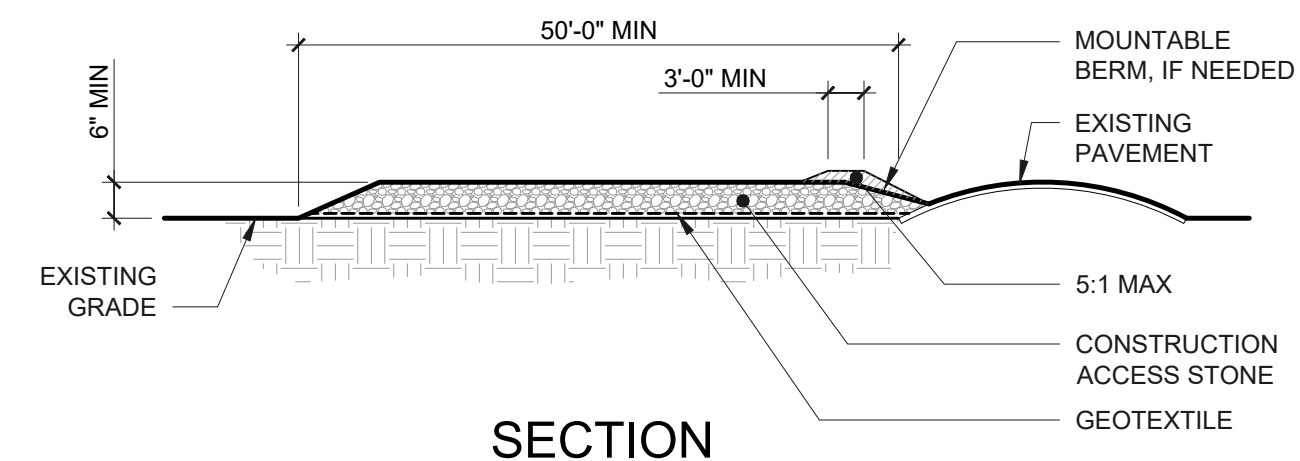
FOR PERMITTING ONLY
12/2/2021
NOT FOR CONSTRUCTION



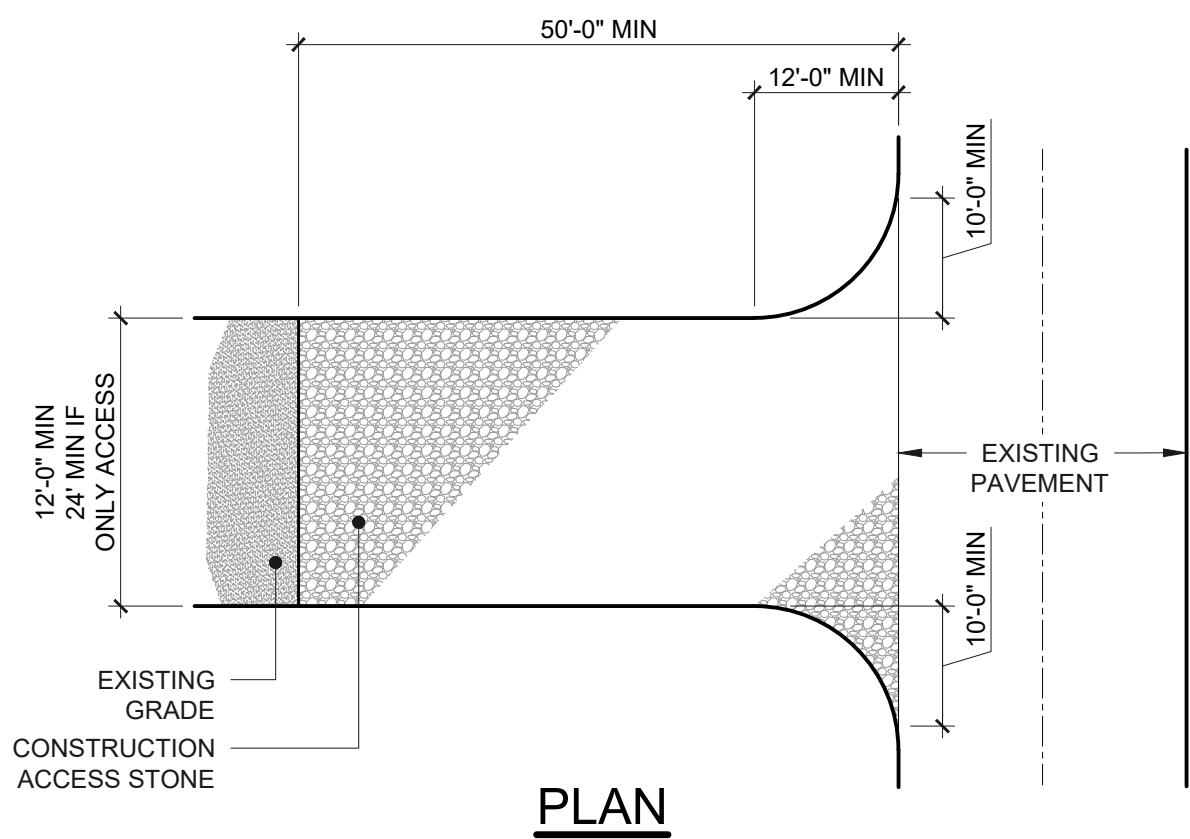
DRAWING REVISIONS				
NO.	DATE	REVISION	ISSUED FOR PERMITTING	VARIOUS REVISIONS PER AEC COMMENTS
1	10/13/2021			
2	12/02/2021			
3				
4				

PROJECT TITLE:	PIVOT SOLAR NY 5
PROJECT LOCATION:	TOWN OF TICONDEROGA, ESSEX COUNTY, NEW YORK
CLIENT:	PIVOT ENERGY
DRAWING TITLE:	PLANTING PLAN

DATE:	OCTOBER 13, 2021
SCALE:	1" = 60'
EDR Job#: 20201	
DRAWN BY:	EG
FILE NAME:	C-400 SERIES.dwg
DRAWING NUMBER:	C-401



SECTION

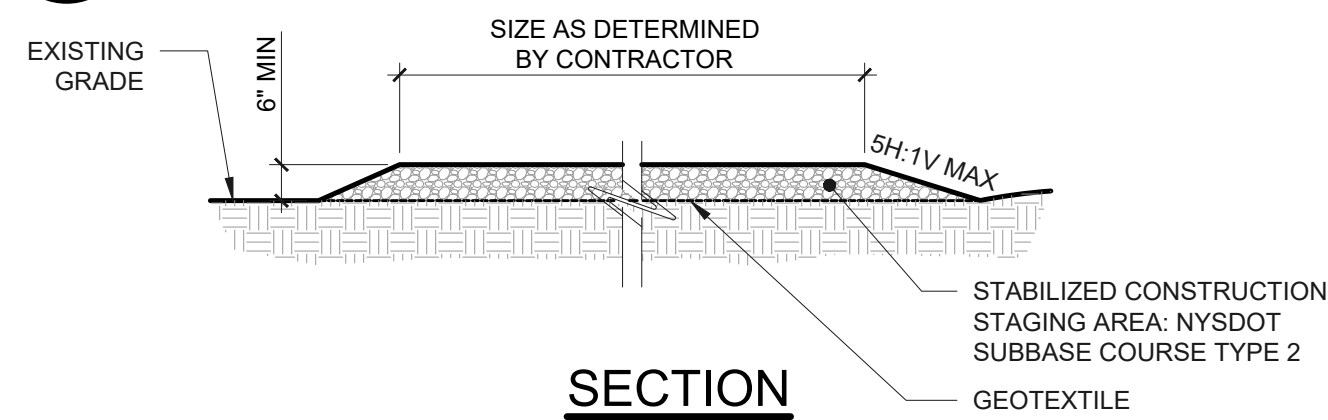


PLAN

NOTES:

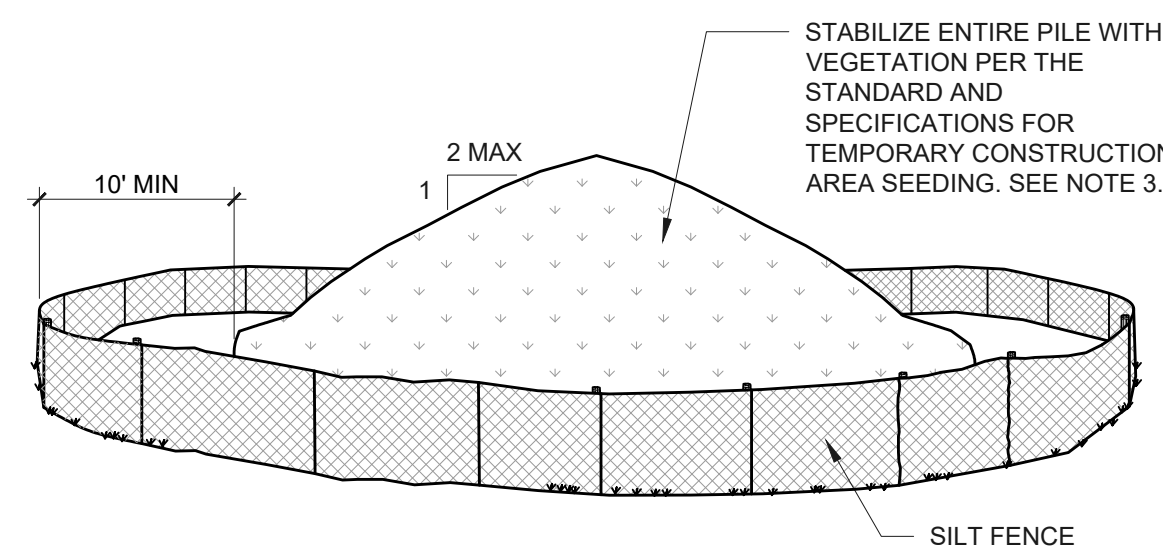
- CONSTRUCTION ACCESS STONE SIZE - USE A 50% TO 50% MIX OF NYS DOT #4 AND #5 STONE, OR RECLAIMED OR RECYCLED CONCRETE EQUIVALENT.
- GEOTEXTILE
- MIRAFI 500X OR APPROVED EQUAL
- SHALL BE PLACED UNDER THE ENTIRE STABILIZED CONSTRUCTION ENTRANCE PRIOR TO PLACING OF STONE.
- SURFACE WATER - ALL SURFACE WATER FLOWING OR DIVERTED TOWARD CONSTRUCTION ACCESS SHALL BE PIPED ACROSS THE STABILIZED CONSTRUCTION ACCESS. IF PIPING IS IMPRACTICAL, A MOUNTABLE BERM SHALL BE USED.
- MAINTENANCE - THE CONSTRUCTION ACCESS SHALL BE MAINTAINED IN A CONDITION WHICH WILL PREVENT TRACKING OR FLOWING OF SEDIMENT ONTO THE PUBLIC RIGHTS-OF-WAY. THIS MAY REQUIRE PERIODIC TOP DRESSING WITH ADDITIONAL STONE AS CONDITIONS DEMAND AND REPAIR AND/OR CLEANOUT OF ANY MEASURES USED TO TRAP SEDIMENT. ALL SEDIMENT SPILLED, DROPPED, WASHED OR TRACKED ONTO PUBLIC RIGHTS-OF-WAY MUST BE REMOVED IMMEDIATELY.
- WHEELS SHALL BE CLEANED TO REMOVE SEDIMENT PRIOR TO ACCESS ONTO PUBLIC RIGHT-OF-WAYS. WHEN WASHING IS REQUIRED, IT SHALL BE DONE ON AN AREA STABILIZED WITH STONE AND WHICH DRAINS INTO A NYSDEC APPROVED SEDIMENT TRAPPING DEVICE.
- TRAINED CONTRACTOR SHALL PROVIDE DAILY INSPECTIONS.

1 STABILIZED CONSTRUCTION ACCESS
Scale: N.T.S. TEMPORARY



SECTION

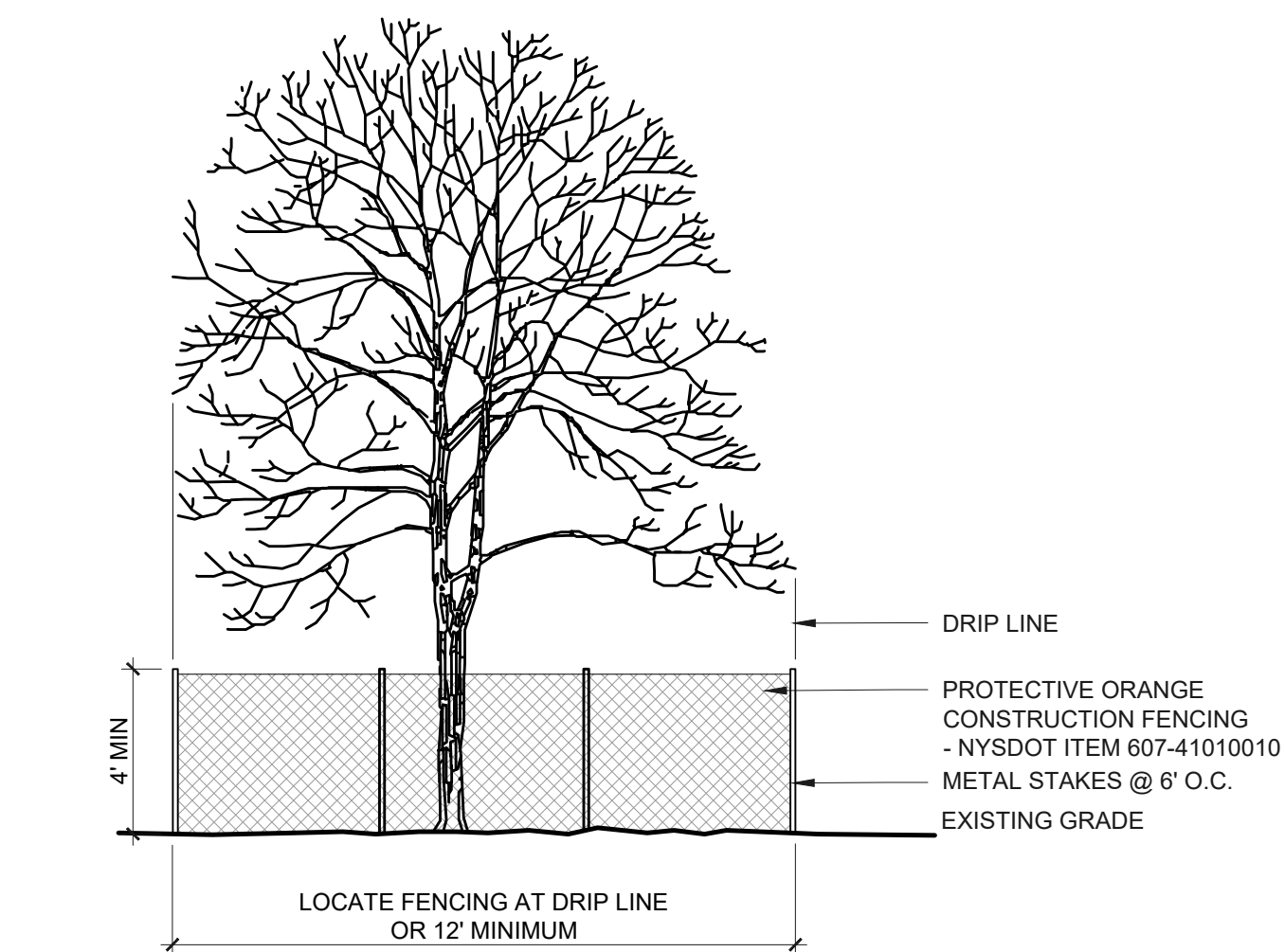
2 STABILIZED CONST STAGING AREA
Scale: N.T.S. TEMPORARY



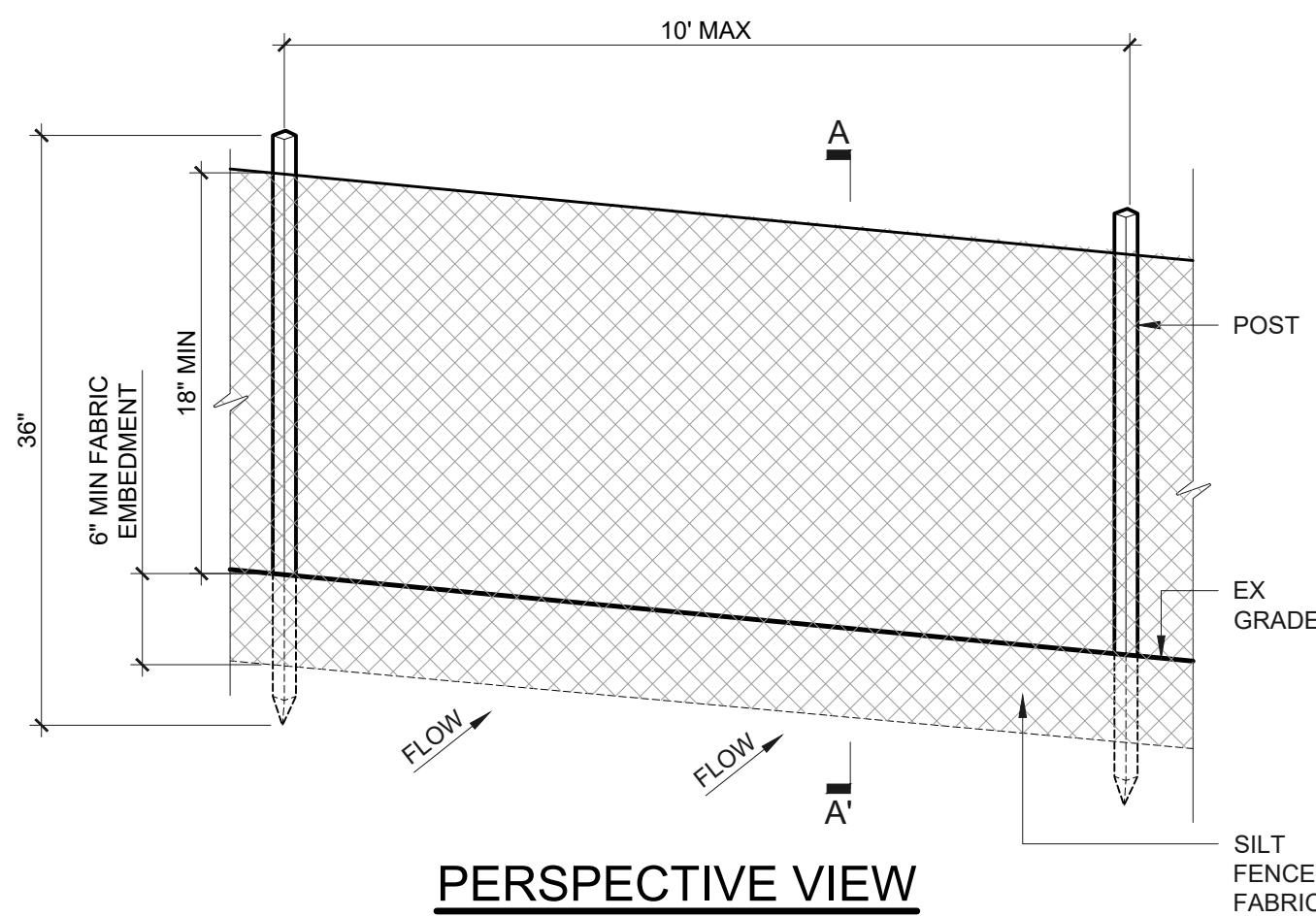
NOTES:

- AREA CHOSEN FOR STOCKPILING OPERATIONS SHALL BE DRY, STABILIZED AND LOCATED AWAY FROM KNOWN WORK AREAS TO PREVENT RELOCATION.
- MAXIMUM STOCKPILE HEIGHT SHALL BE 12 FEET.
- EACH PILE SHALL BE SURROUNDED WITH SILT FENCING, INSTALLED PER SILT FENCE DETAIL, THEN STABILIZED IN ACCORDANCE WITH THE NYSDEC STANDARD AND SPECIFICATIONS FOR TEMPORARY CONSTRUCTION AREA SEEDING WITHIN 7 DAYS OF COMPLETION.
- A PERIMETER DIKE/SWALE SHALL BE LOCATED UP-SLOPE OF THE TOPSOIL STOCKPILE TO DIVERT STORMWATER AROUND THE STOCKPILE.

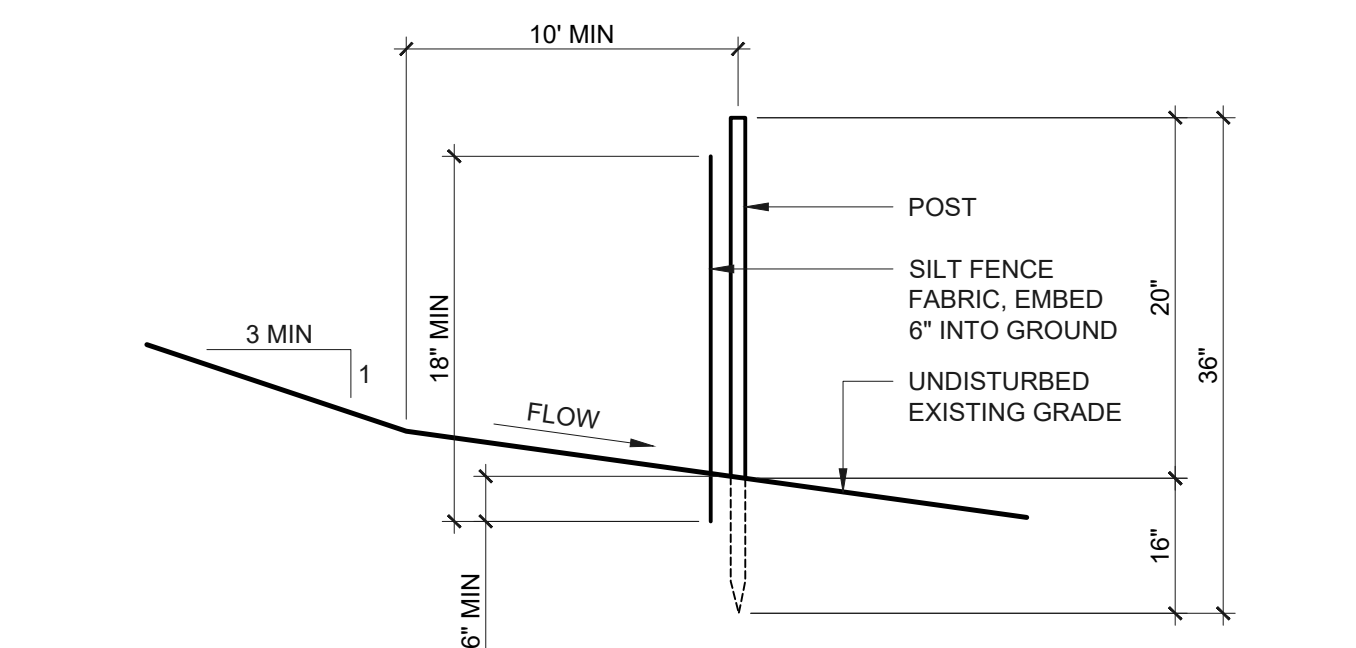
3 STABILIZED SOIL STOCKPILE
Scale: N.T.S. TEMPORARY



4 VEGETATION PROTECTION
Scale: N.T.S. TEMPORARY



PERSPECTIVE VIEW

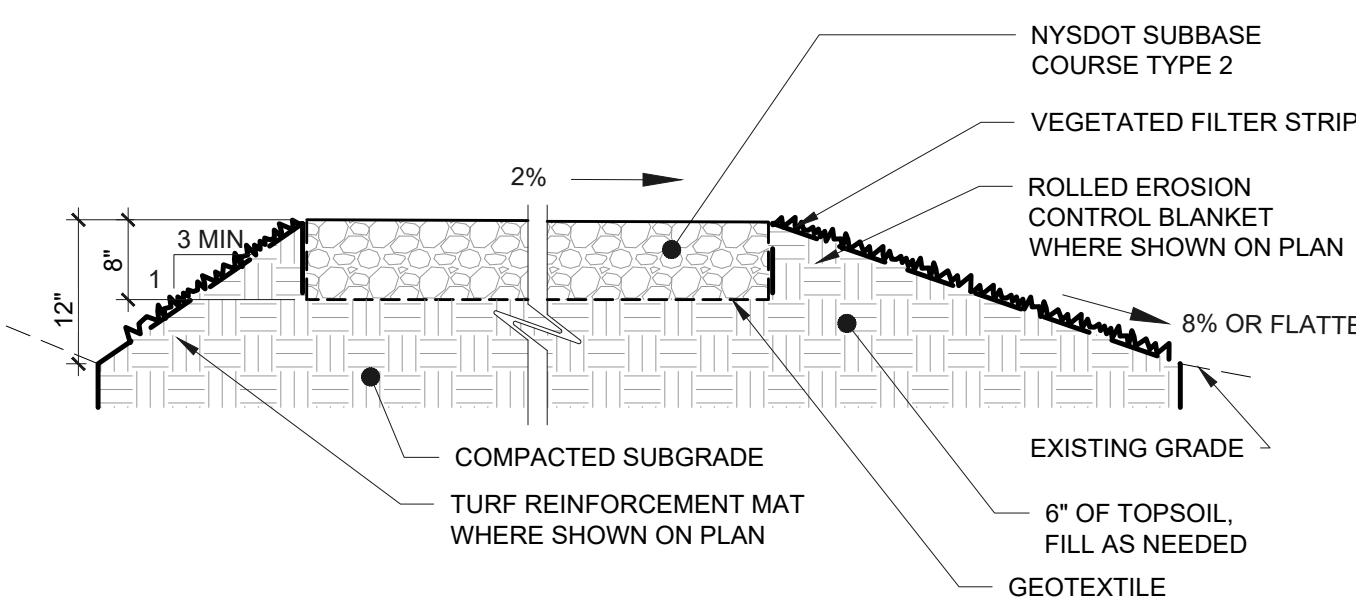


SECTION A-A'

NOTES:

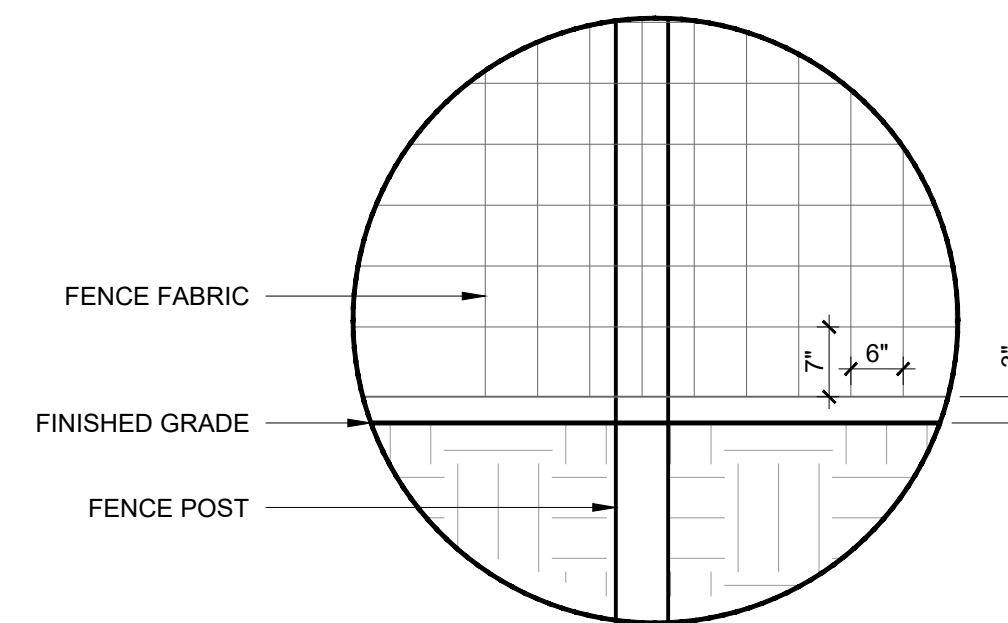
- WHEN TWO SECTIONS OF SILT FENCE FABRIC ADJOIN EACH OTHER THEY SHALL BE OVERLAPPED BY 6" AND FOLDED. FILTER CLOTH SHALL BE EITHER FILTER X, MIRAFI 100X, STABILINKA T140N, OR APPROVED EQUAL.
- PREFABRICATED UNITS SHALL MEET THE MINIMUM REQUIREMENTS SHOWN.
- MAINTENANCE SHALL BE PERFORMED IMMEDIATELY AND MATERIAL REMOVED WHEN "BULGES" DEVELOP IN THE SILT FENCE.

5 SILT FENCE - STANDARD
Scale: N.T.S. TEMPORARY

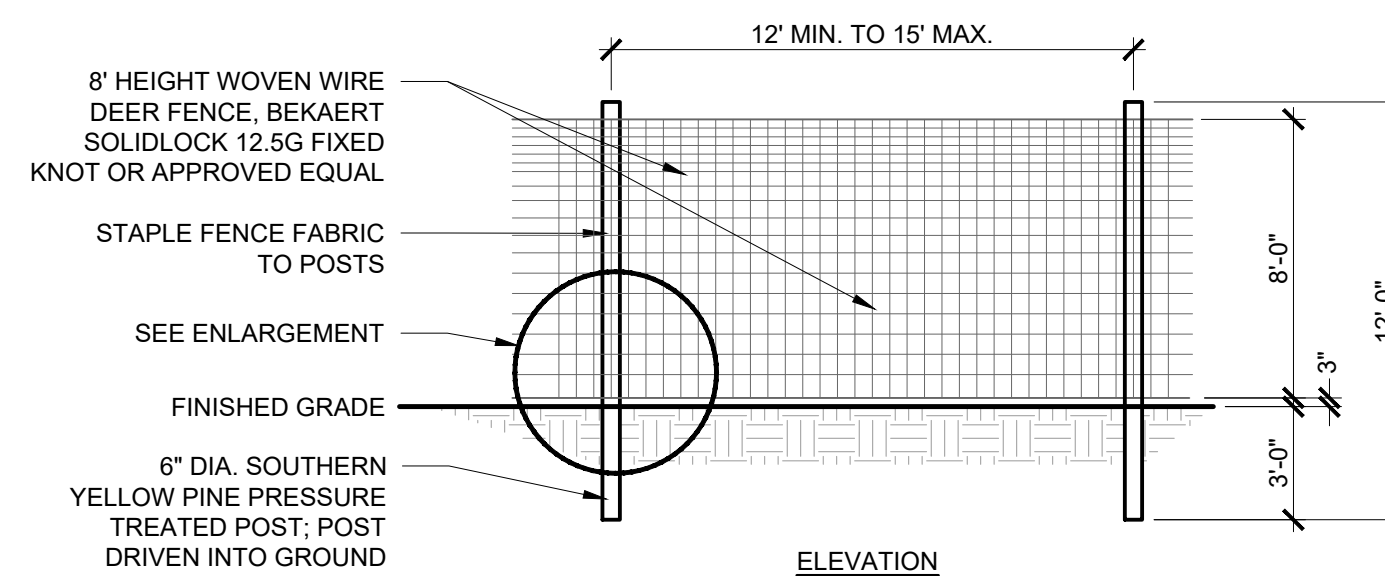


NOTE: TREATMENT OF THE SURFACE ADJACENT TO THE GRAVEL ROAD WILL VARY BASED ON ADJACENT GRADING. LOCATIONS OF THE OF TURF REINFORCEMENT MAT (TRM) AND EROSION CONTROL BLANKET (ECB) WILL BE IDENTIFIED ON THE GRADING PLAN.

6 GRAVEL ACCESS ROAD
Scale: N.T.S.

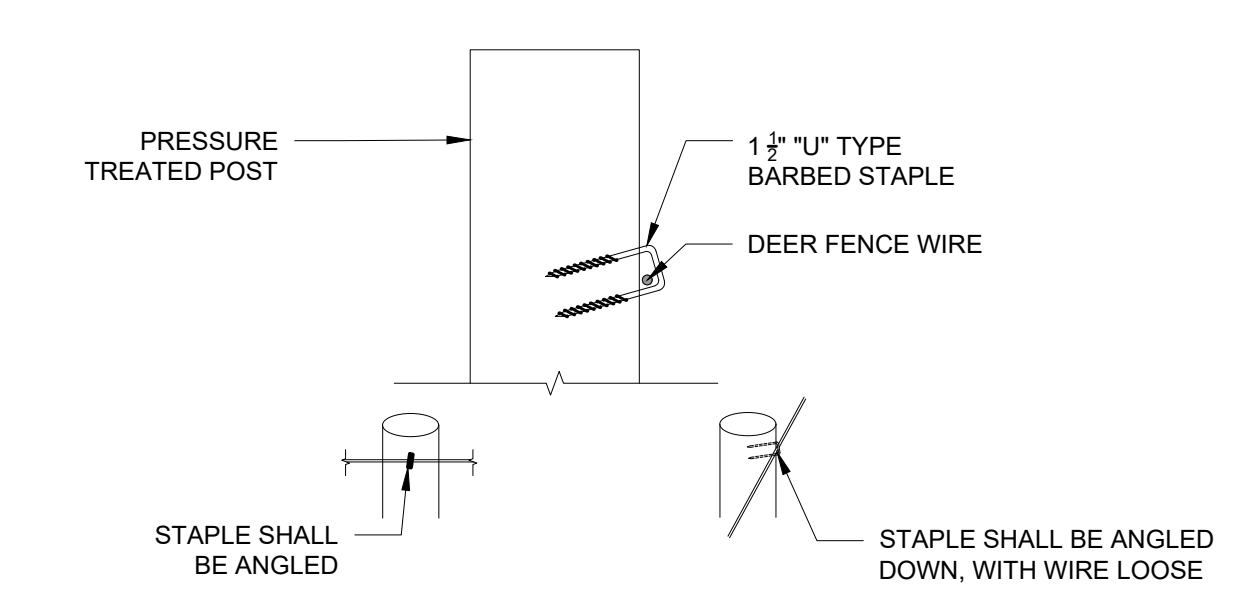


ENLARGEMENT
FENCE SPACING

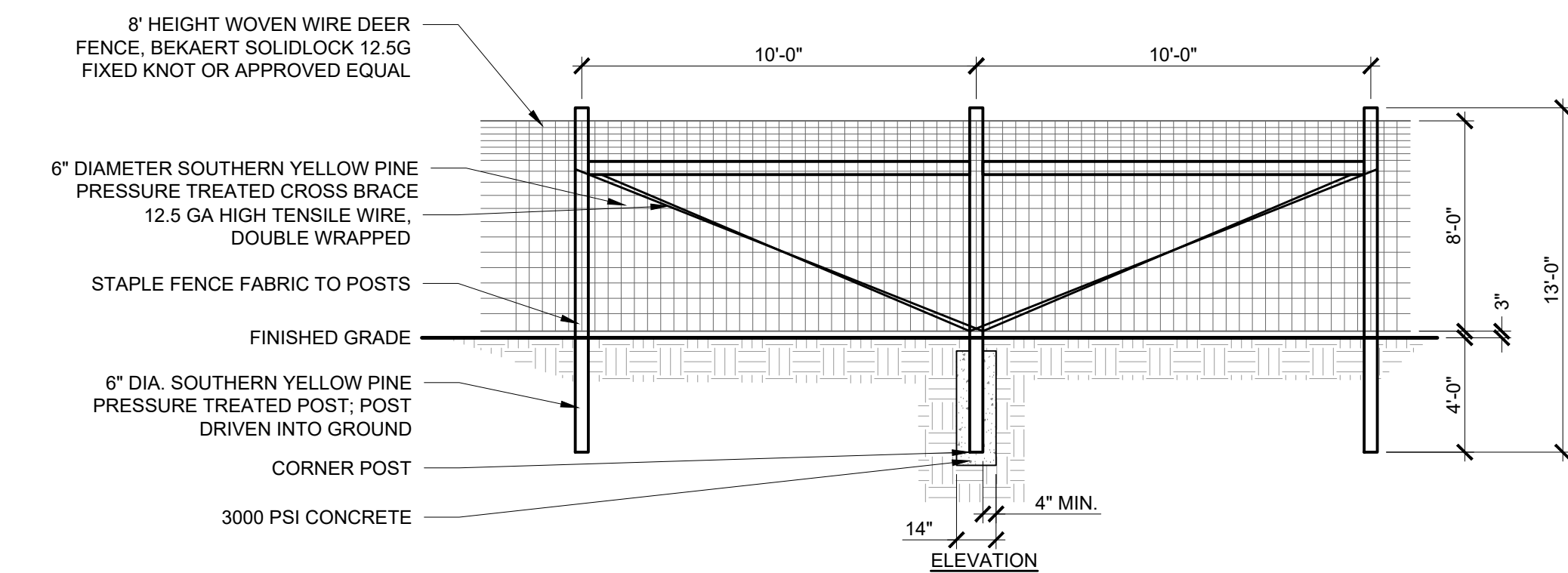


ELEVATION

7 FENCE - LINE POST
Scale: N.T.S.

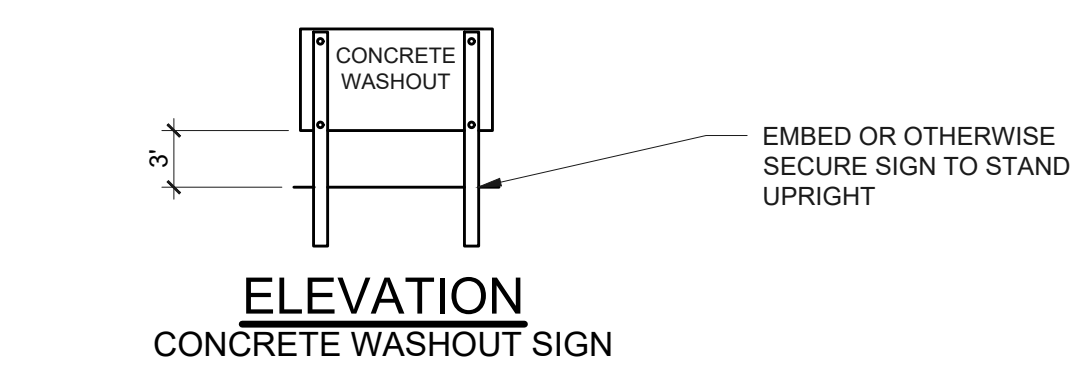


8 TYPICAL STAPLING
Scale: N.T.S.

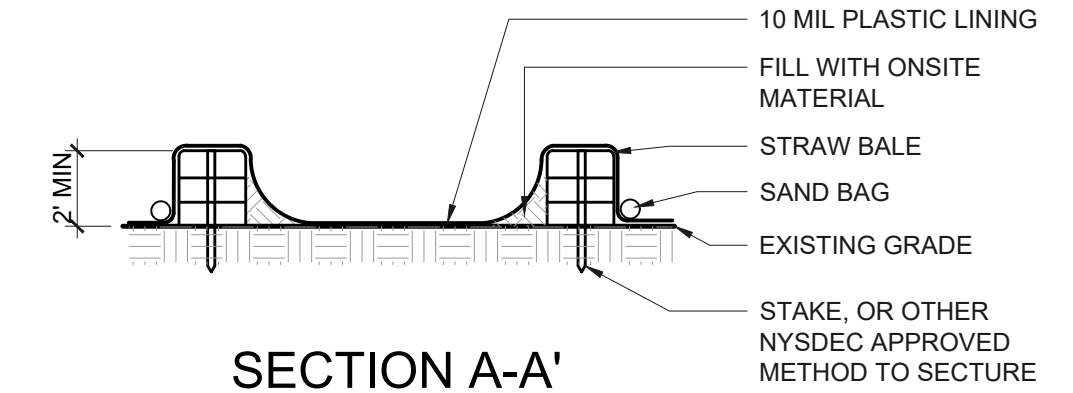


ELEVATION

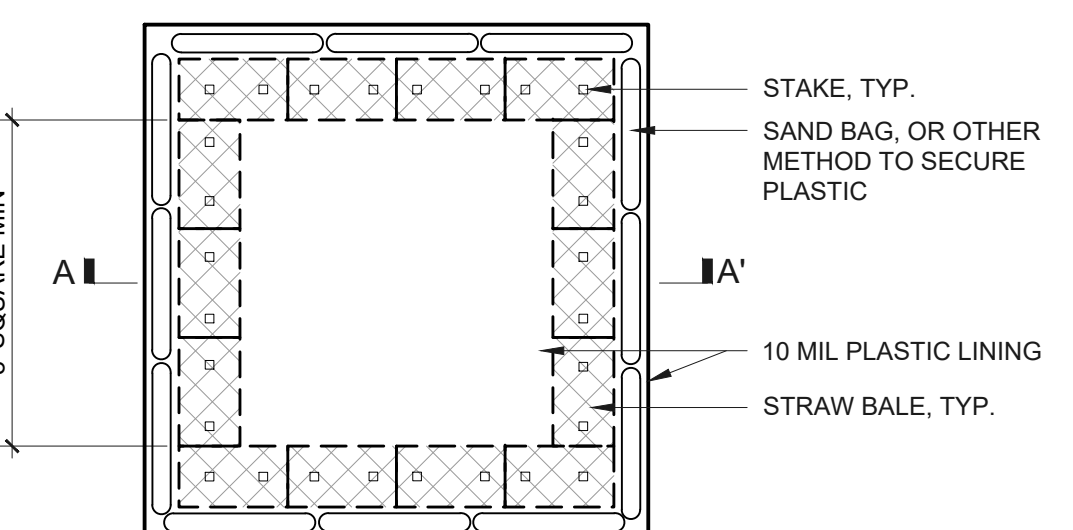
9 FENCE - CORNER POSTS
Scale: N.T.S.



ELEVATION
CONCRETE WASHOUT SIGN



SECTION A-A'



PLAN

NOTES:

- THE CONTRACTOR SHALL BE RESPONSIBLE FOR SIZING, CONSTRUCTION, AND INTEGRITY OF THE WASHOUT. THE CAPACITY OF THE WASHOUT SHALL BE 60 GALLONS PER TRUCK TO BE CLEANED WITHIN THE EXPECTED MAINTENANCE FREQUENCY. ADDITIONAL CAPACITY SHALL BE PROVIDED TO ACCOMMODATE RAINFALL.
- OTHER METHODS OF CONCRETE WASHOUT CONTAINMENT MAY BE UTILIZED IF APPROVED BY THE OWNER'S REPRESENTATIVE.
- LOCATE WASHOUT AREA AT LEAST 100' FROM STORM DRAINS, OPEN DITCHES, OR WATER BODIES.
- THE PLASTIC LINING SHALL BE MAINTAINED IN A WATER TIGHT CONDITION AND SHALL BE REPLACED AT EVERY CLEANING.
- DO NOT ALLOW RUNOFF TO ENTER THIS AREA.
- THE CONCRETE WASHOUT SIGN SHALL BE PLACED WITHIN 30 FEET OF THE TEMPORARY CONCRETE WASHOUT FACILITY.

10 CONCRETE WASHOUT AREA
Scale: N.T.S. TEMPORARY

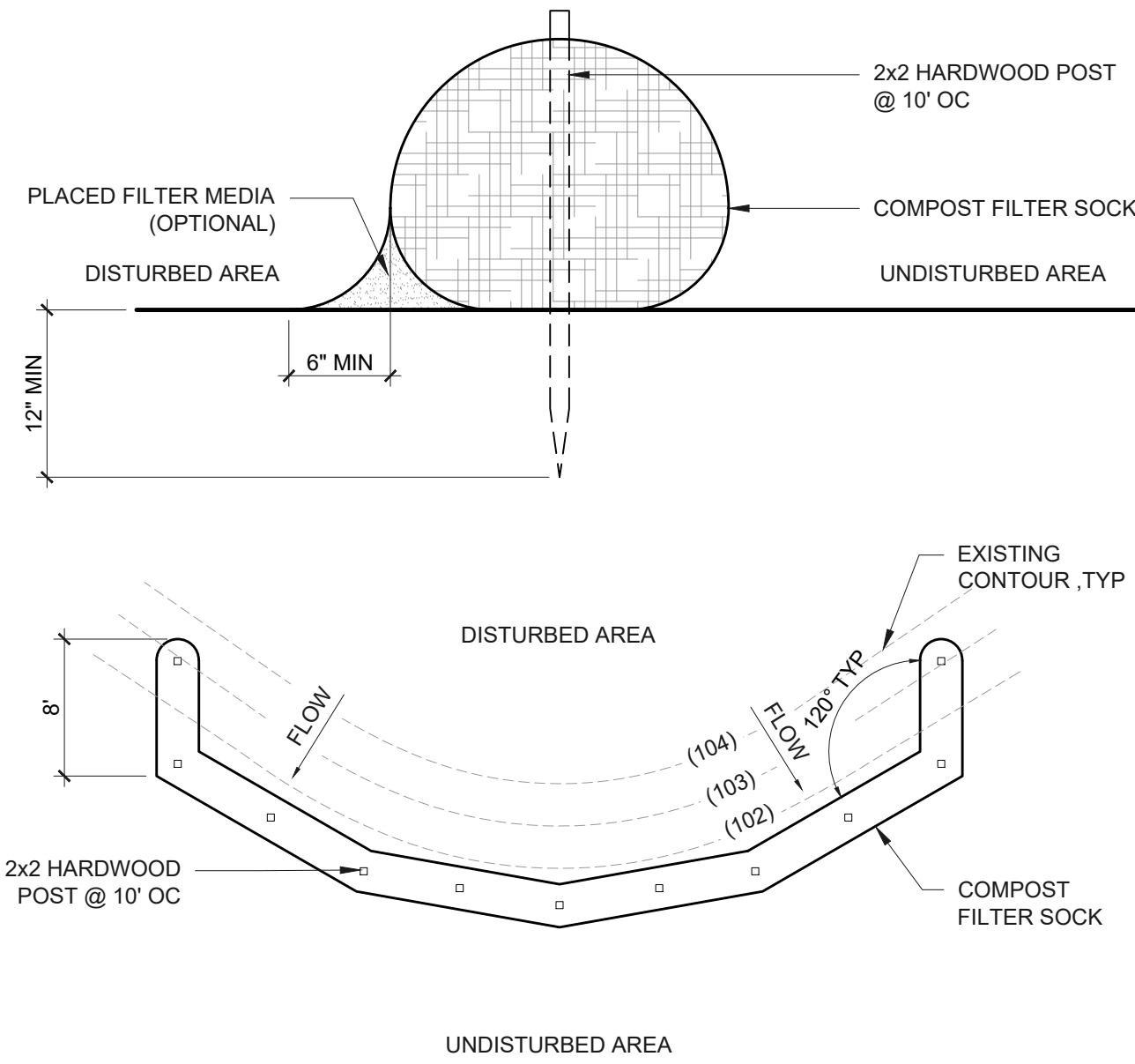
FOR PERMITTING ONLY
12/22/2021
NOT FOR CONSTRUCTION



DRAWING REVISIONS		NO.	DATE	REVISION	ISSUED FOR PERMITTING	VARIOUS REVISIONS PER AIA COMMENTS
BY	ZTR					
DATE						
NO.						
DATE						
REVISION						
ISSUED FOR PERMITTING						
VARIOUS REVISIONS PER AIA COMMENTS						

PROJECT TITLE	PIVOT SOLAR NY 5
PROJECT LOCATION	TOWN OF TICONDEROGA, ESSEX COUNTY, NEW YORK
CLIENT	PIVOT ENERGY
DRAWING TITLE	DETAILS

DATE	OCTOBER 13, 2021
SCALE	N.T.S.
EDR Job#	20201
DRAWN BY	ZR
FILE NAME	C-600 SERIES.dwg
DRAWING NUMBER	C-601



- NOTE:
1. COMPOST FILTER SOCKS SHALL BE PLACED ON THE CONTOUR WITH BOTH TERMINAL ENDS OF THE SOCK EXTENDED 8 FEET UPSLOPE AT A 45° ANGLE TO PREVENT BYPASS FLOW. DIAMETERS DESIGNED FOR USE SHALL BE 12"-32".
 2. THE FLAT DIMENSION OF THE SOCK SHALL BE AT LEAST 1.5 TIMES THE NOMINAL DIAMETER.
 3. THE MAXIMUM SLOPE LENGTH (IN FEET) ABOVE A COMPOST FILTER SOCK SHALL NOT EXCEED THE FOLLOWING LIMITS:

TABLE 1 - MAXIMUM SLOPE LENGTH ABOVE COMPOST FILTER SOCK (FEET)

DIA (IN)	SLOPE %						
	2	5	10	20	25	33	50
12	250	225	125	65	50	40	25
18	275	250	150	70	55	45	30
24	350	275	200	130	100	60	35
32	450	325	275	150	120	75	50

TABLE 2 - COMPOST FILTER MEDIA STANDARDS

ORGANIC MATTER CONTENT	25% - 100% DRY WEIGHT
ORGANIC PORTION	FIBROUS AND ELONGATED
pH	6.0 - 8.0
MOISTURE CONTENT	30% - 60%
PARTICLE SIZE	100% PASSING A 1" SCREEN AND 10-50% PASSING A 3/8" SCREEN
SOLUBLE SALT CONCENTRATION	5.0 dS/m (mmhos/cm) MAXIMUM

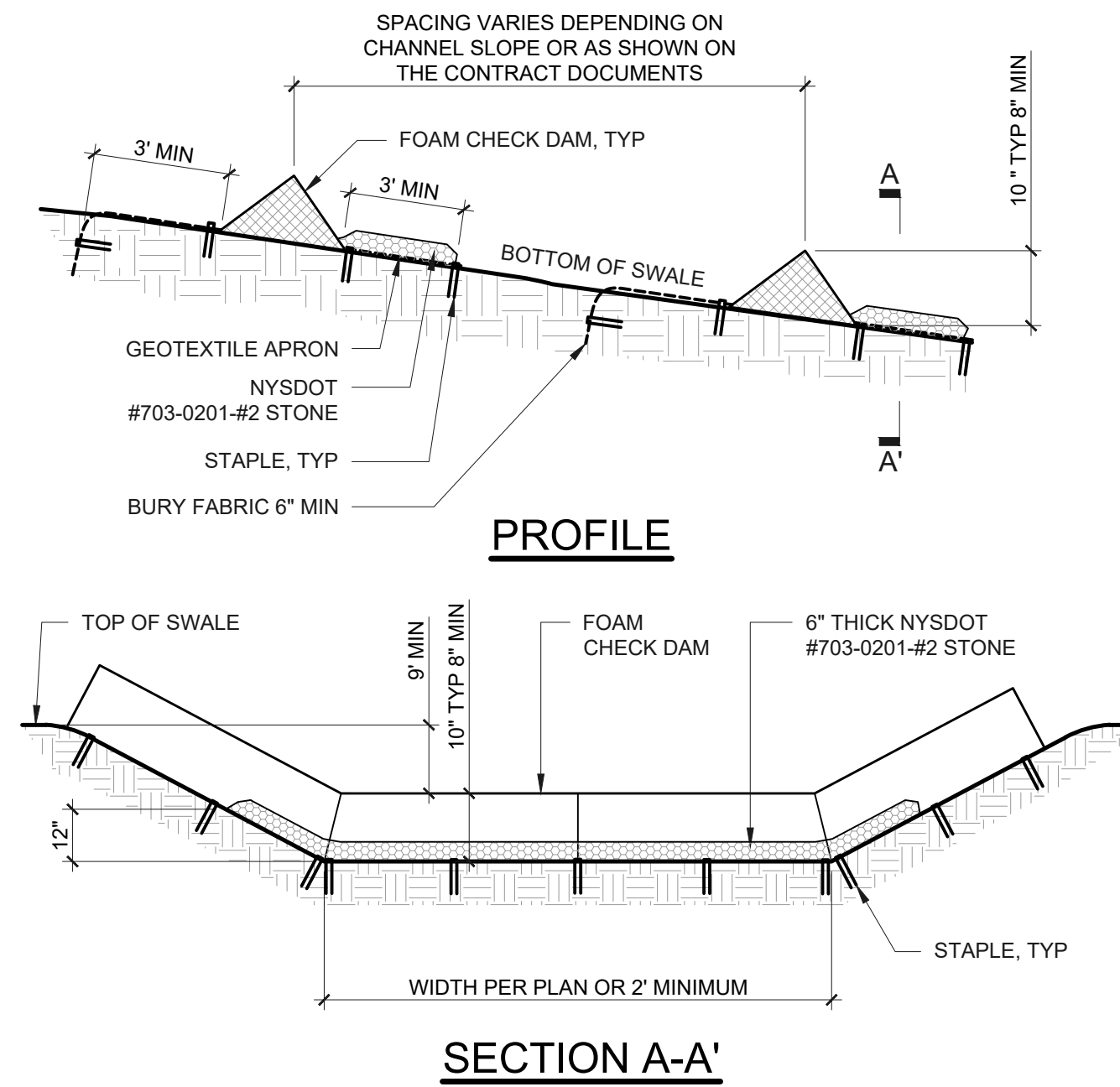
TABLE 3 - COMPOST SOCK FABRIC MINIMUM SPECIFICATIONS

MATERIAL TYPE	3 MIL HDPE	5 MIL HDPE	5 MIL HDPE	MULTI-FILAMENT POLYPROPYLENE	HEAVY DUTY MULTI-FILAMENT POLYPROPYLENE
MATERIAL CHARACTERISTICS	PHOTODEGRAD-ABLE	PHOTODEGRAD-ABLE	PHOTODEGRAD-ABLE	PHOTODEGRAD-ABLE	PHOTODEGRAD-ABLE
SOCK DIAMETERS	12", 18"	12", 18", 24", 32"	12", 18", 24", 32"	12", 18", 24", 32"	12", 18", 24", 32"
MESH OPENING	3/8"	3/8"	3/8"	3/8"	1/8"
TENSILE STRENGTH		26 PSI	26 PSI	44 PSI	202 PSI
ULTRAVIOLET STABILITY % ORIGINAL STRENGTH (ASTM G-155)	23% AT 1000 HR.	23% AT 1000 HR.		100% AT 1000 HR.	100% AT 1000 HR.
MINIMUM FUNCTIONAL LONGEVITY	6 MONTHS	9 MONTHS	6 MONTHS	1 YEAR	2 YEARS

5. THE COMPOST INFILL SHALL BE WELL DECOMPOSED (MATURED AT LEAST 3 MONTHS), WEED-FREE, ORGANIC MATTER. IT SHALL BE AEROBICALLY COMPOSTED, POSSESS NO OBJECTIONABLE ODORS, AND CONTAIN LESS THAN 1% BY DRY WEIGHT, OF MAN-MADE FOREIGN MATTER. THE PHYSICAL PARAMETERS OF THE COMPOST SHALL MEET THE STANDARDS LISTED IN TABLE 5.2-COMPOST FILTER MEDIA STANDARDS TABLE*. NOTE ALL BIOSOLIDS COMPOST PRODUCED IN NEW YORK STATE (OR APPROVED FOR IMPORTATION) MUST MEET NYS DEC'S 6 NYCRR PART 360 (SOLIDS WASTE MANAGEMENT FACILITIES) REQUIREMENTS. THE PART 360 REQUIREMENTS ARE EQUAL TO OR MORE STRINGENT THAN 40 CFR PART 503 WHICH ENSURE SAFE STANDARDS FOR PATHOGEN REDUCTION AND HEAVY METALS CONTENT. WHEN USING COMPOST FILTER SOCKS ADJACENT TO SURFACE WATER, THE COMPOST SHOULD HAVE A LOW NUTRIENT VALUE.
6. THE COMPOST FILTER SOCK FABRIC MATERIAL SHALL MEET THE MINIMUM SPECIFICATIONS GIVEN IN TABLE 5.3-COMPOST SOCK FABRIC MINIMUM SPECIFICATIONS TABLE*.
7. COMPOST FILTER SOCKS SHALL BE ANCHORED IN EARTH WITH 2x2 WOODEN STAKES DRIVEN 12" INTO THE SOIL ON 10 FOOT CENTER ON THE CENTERLINE OF THE SOCK. ON UNEVEN TERRAIN, EFFECTIVE GROUND CONTACT CAN BE ENHANCED BY THE PLACEMENT OF A FILLET OR FILTER MEDIA ON THE DISTURBED AREA SIDE OF THE COMPOST SOCK.
8. ALL SPECIFIC CONSTRUCTION DETAILS AND MATERIAL SPECIFICATIONS SHALL APPEAR ON THE EROSION AND SEDIMENT CONTROL CONSTRUCTIONS DRAWINGS WHEN COMPOST FILTER SOCKS ARE INCLUDED IN THE PLAN.

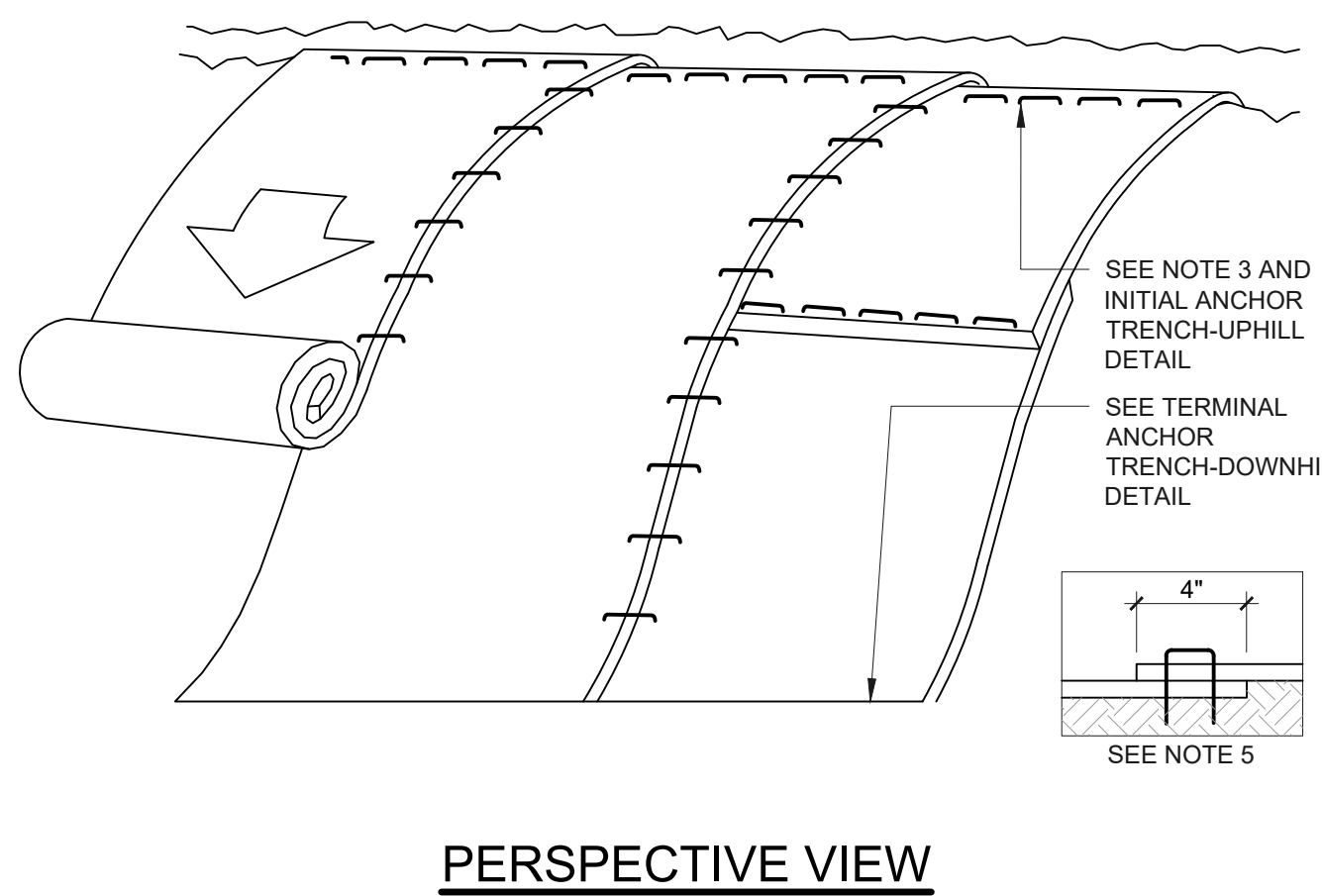
*TABLE FROM THE 2016 NYS STANDARDS AND SPECIFICATIONS FOR EROSION AND SEDIMENT CONTROL.

1 COMPOST FILTER SOCK
Scale: NTS TEMPORARY



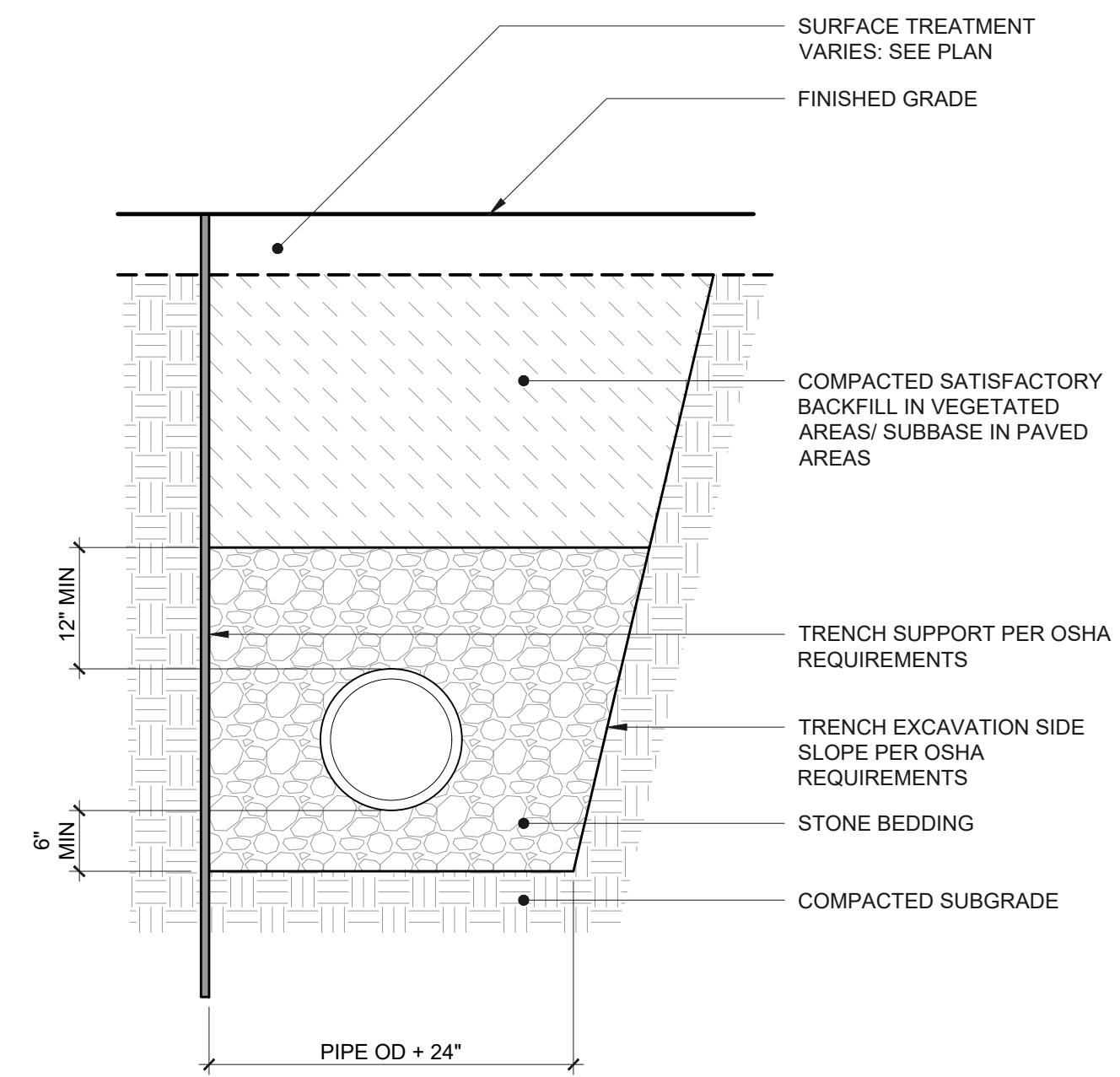
- NOTES:
1. PREFABRICATED TEMPORARY CHECK DAMS SHALL BE EITHER URETHANE FOAM (CFC FREE) COVERED WITH GEOTEXTILE, TRIANGULAR SILT DIKE BY ACF, GEORIDGE BY NILEX OR EQUAL. INSTALL PER MANUFACTURER'S INSTRUCTIONS.
 2. STAPLES SHALL BE PLACED WHERE UNITS OVERLAP AND A DIRECTED BY MANUFACTURERS INSTRUCTIONS.

2 PREFABRICATED CHECK DAM
Scale: NTS

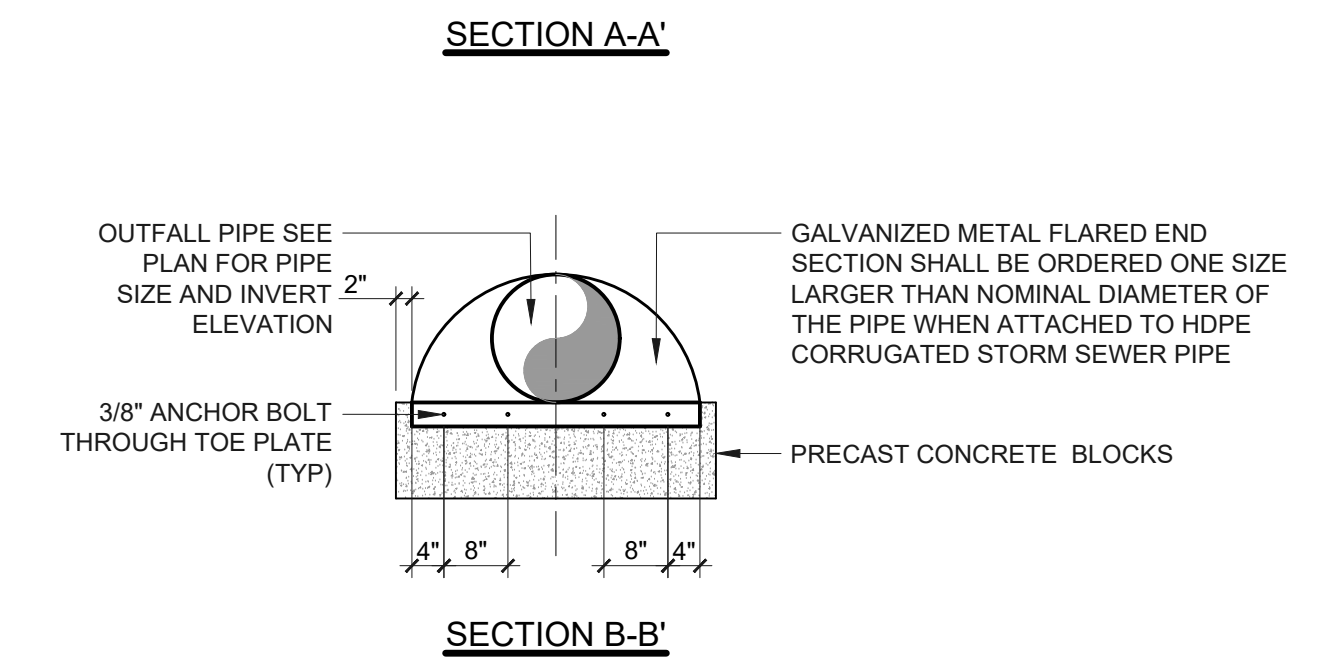
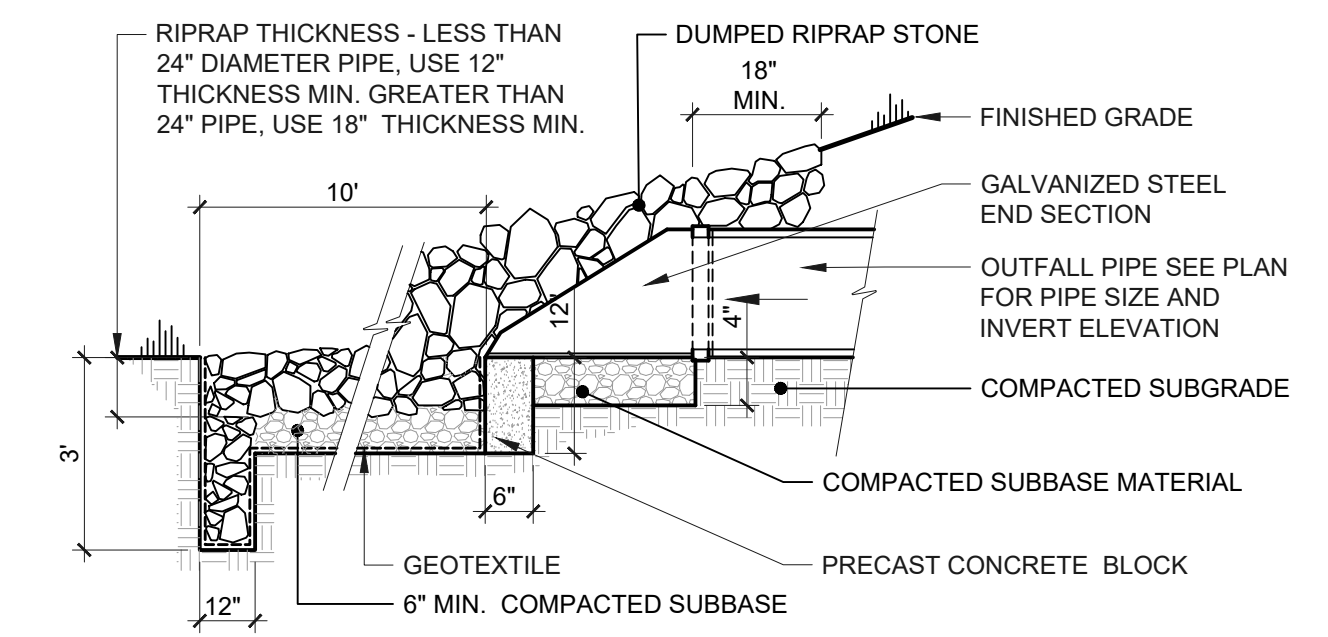
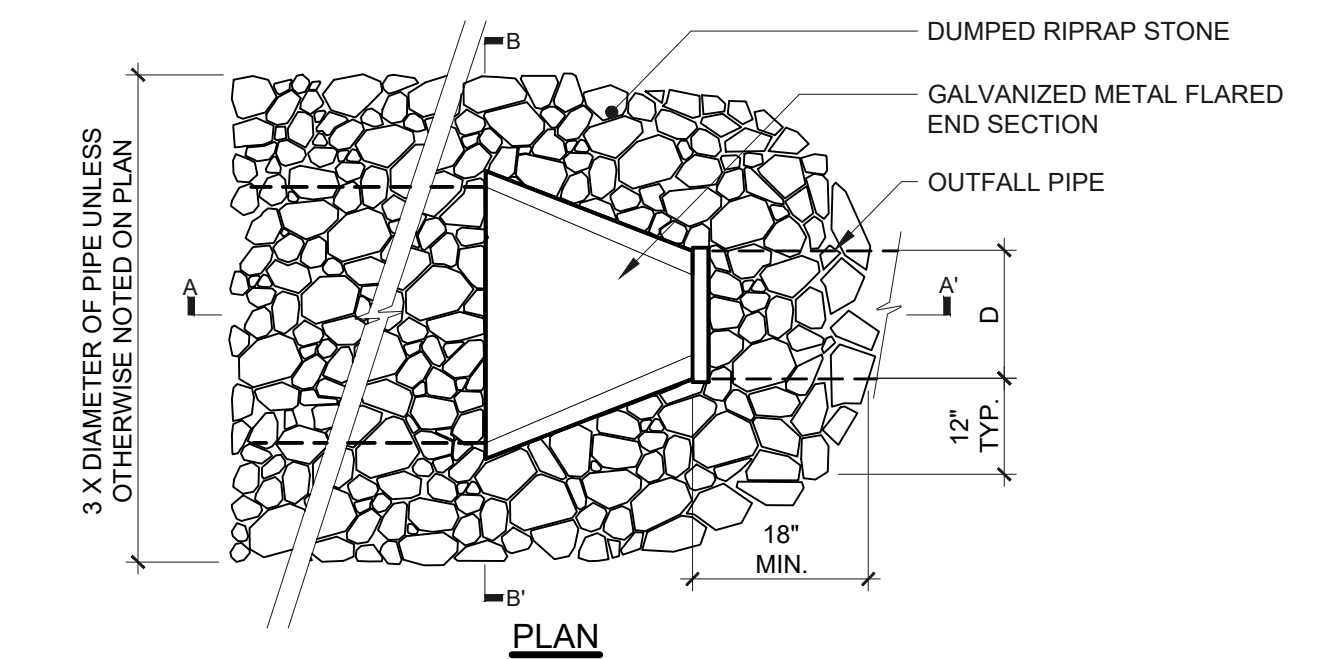


- NOTES:
1. ROLLED EROSION CONTROL PRODUCT (RECP) SHALL BE NORTH AMERICAN GREEN BIONET S150BN, OR APPROVED EQUAL.
 2. TURF REINFORCEMENT MAT (TRM) SHALL BE TENSAR NORTH AMERICAN GREEN P-300, OR APPROVED EQUAL.
 3. PREPARE SOIL BEFORE INSTALLING RECP/TRM INCLUDING ANY NECESSARY APPLICATION OF LIME, FERTILIZER, AND SEED.
 4. BEGIN AT THE TOP OF THE SLOPE BY ANCHORING THE RECP/TRM IN A TRENCH, AS SHOWN ON THE INITIAL ANCHOR TRENCH-UPHILL DETAIL. ANCHOR THE RECP/TRM WITH A ROW OF STAPLES APPROXIMATELY 12" APART IN THE BOTTOM OF TRENCH. BACKFILL AND COMPACT THE TRENCH AFTER STAPLING. APPLY SEED TO COMPACTED SOIL AND FOLD REMAINING 12" PORTION OF RECP/TRM BACK OVER THE SEED AND COMPACTED SOIL. SECURE RECP/TRM OVER COMPACTED SOIL WITH A ROW OF STAPLES SPACED APPROXIMATELY 12" APART ACROSS THE WIDTH OF THE ROLLED EROSION CONTROL PRODUCTS.
 5. ROLL THE RECP/TRM DOWN THE SLOPE. TRM WILL UNROLL WITH APPROPRIATE SIDE AGAINST THE SOIL SURFACE. ALL RECP/TRM MUST BE SECURELY FASTENED TO SOIL SURFACE BY PLACING STAPLES IN APPROPRIATE LOCATIONS AS SHOWN IN THE STAPLE PATTERN GUIDE PROVIDED BY MANUFACTURER.
 6. THE EDGES OF PARALLEL RECP/TRM MUST BE STAPLED WITH 4" MINIMUM OVERLAP. OVERLAP PER MANUFACTURER'S INSTRUCTIONS.
 7. CONSECUTIVE RECP/TRM SPliced DOWN THE SLOPE MUST BE PLACED END OVER END (SHINGLE STYLE) WITH A 4" MINIMUM OVERLAP. STAPLE THROUGH OVERLAPPED AREA APPROXIMATELY 12" APART ACROSS ENTIRE RECP/TRM WIDTH. NOTE: IN LOOSE SOIL CONDITIONS THE USE OF STAPLE LENGTHS GREATER THAN 6" MAY BE NECESSARY TO PROPERLY SECURE THE RECP/TRM.
 8. REFER TO TERMINAL ANCHOR TRENCH-DOWNHILL DETAIL FOR TERMINAL ANCHOR TRENCH INSTALLATION.

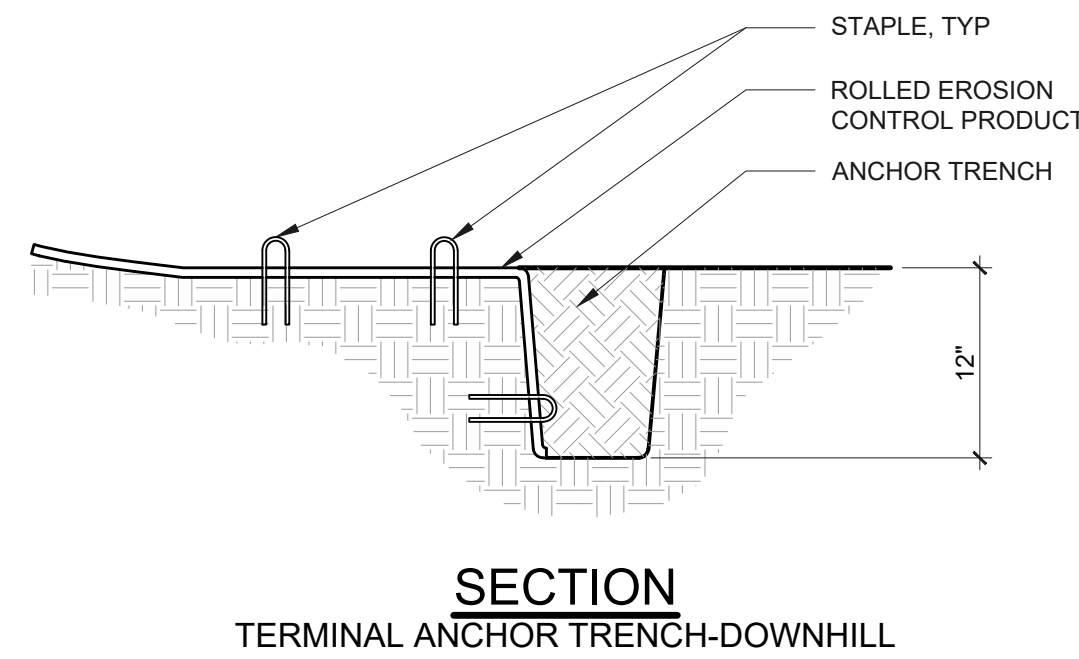
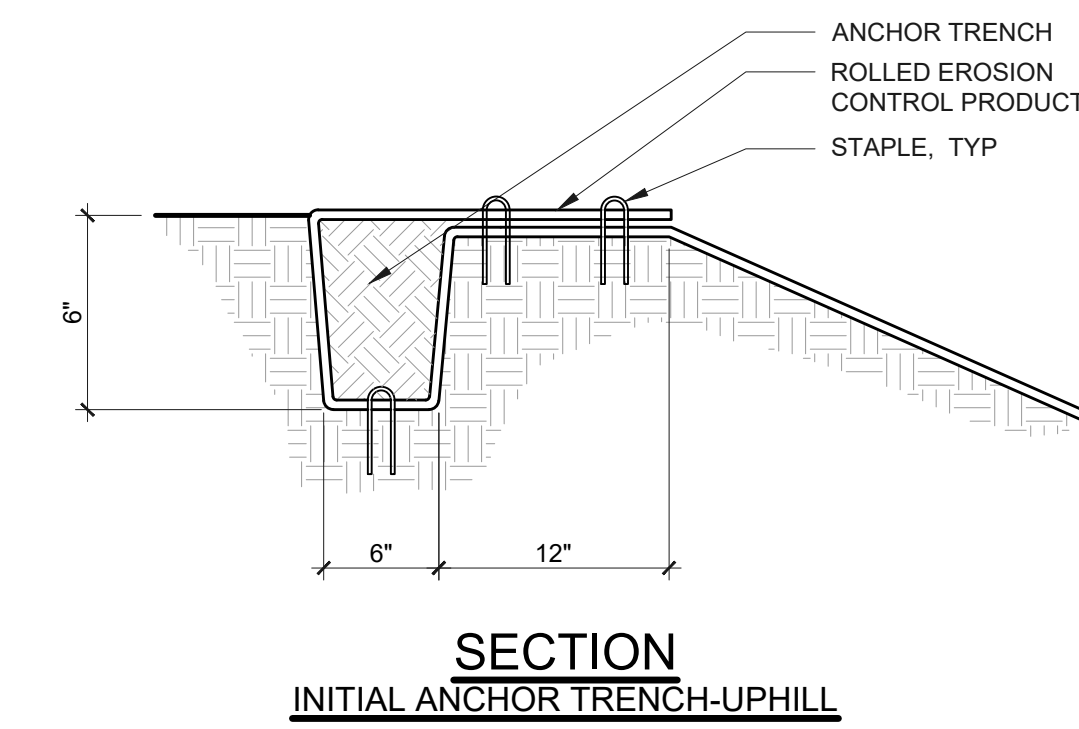
3 SLOPE STABILIZATION
Scale: NTS TEMPORARY



4 PIPE TRENCH
Scale: NTS WITH STONE BEDDING



5 STORM END SECTION - DUMPED
Scale: NTS



6 ANCHOR TRENCH
Scale: NTS



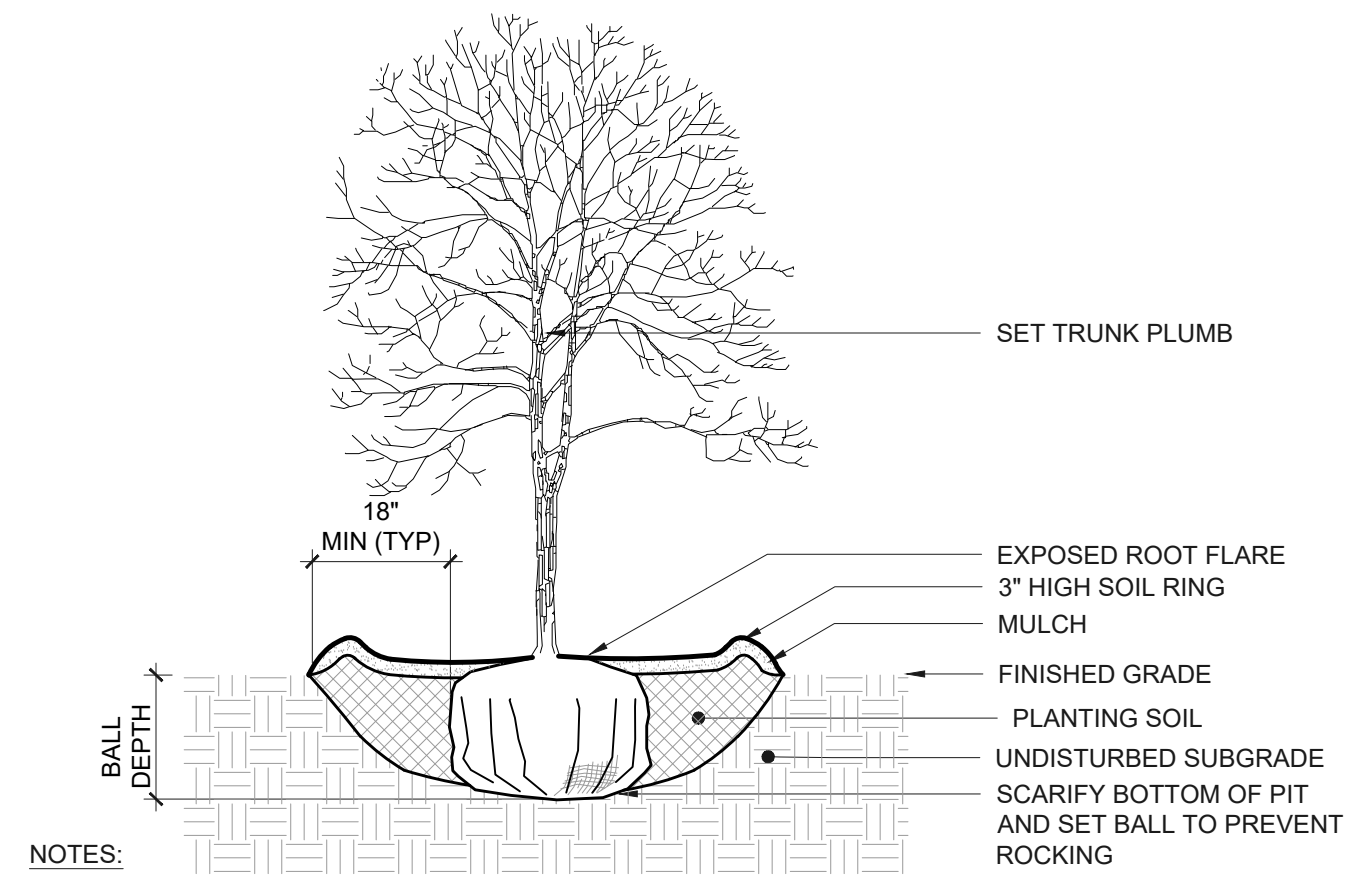
0021 Environmental Design & Research
Landscape Architecture, Engineering & Environmental Services, D.P.C.
The drawings are prepared from the New York Erosion Control Manual (2016 Edition) and are intended to be used in accordance with the provisions of the Erosion Control Manual (2016 Edition) and the related "Manual" documents. The drawings are not to be used for any other purpose without the written consent of the author. The author and the related "Manual" documents are the property of the author and are not to be reproduced or transmitted in any form or by any means, electronic, mechanical, photocopying, recording, or by any information storage and retrieval system, without the prior written permission of the author.

DRAWING REVISIONS	NO.	DATE	BY	REVISION
	1	10/19/2021	ZTR	ISSUED FOR PERMITTING
	2	10/20/2021	ZTR	VARIOUS REVISIONS PER APP COMMENTS

PROJECT TITLE:	PIVOT SOLAR NY 5
PROJECT LOCATION:	TOWN OF TICONDEROGA, ESSEX COUNTY, NEW YORK
CLIENT:	PIVOT ENERGY
DRAWING TITLE:	DETAILS

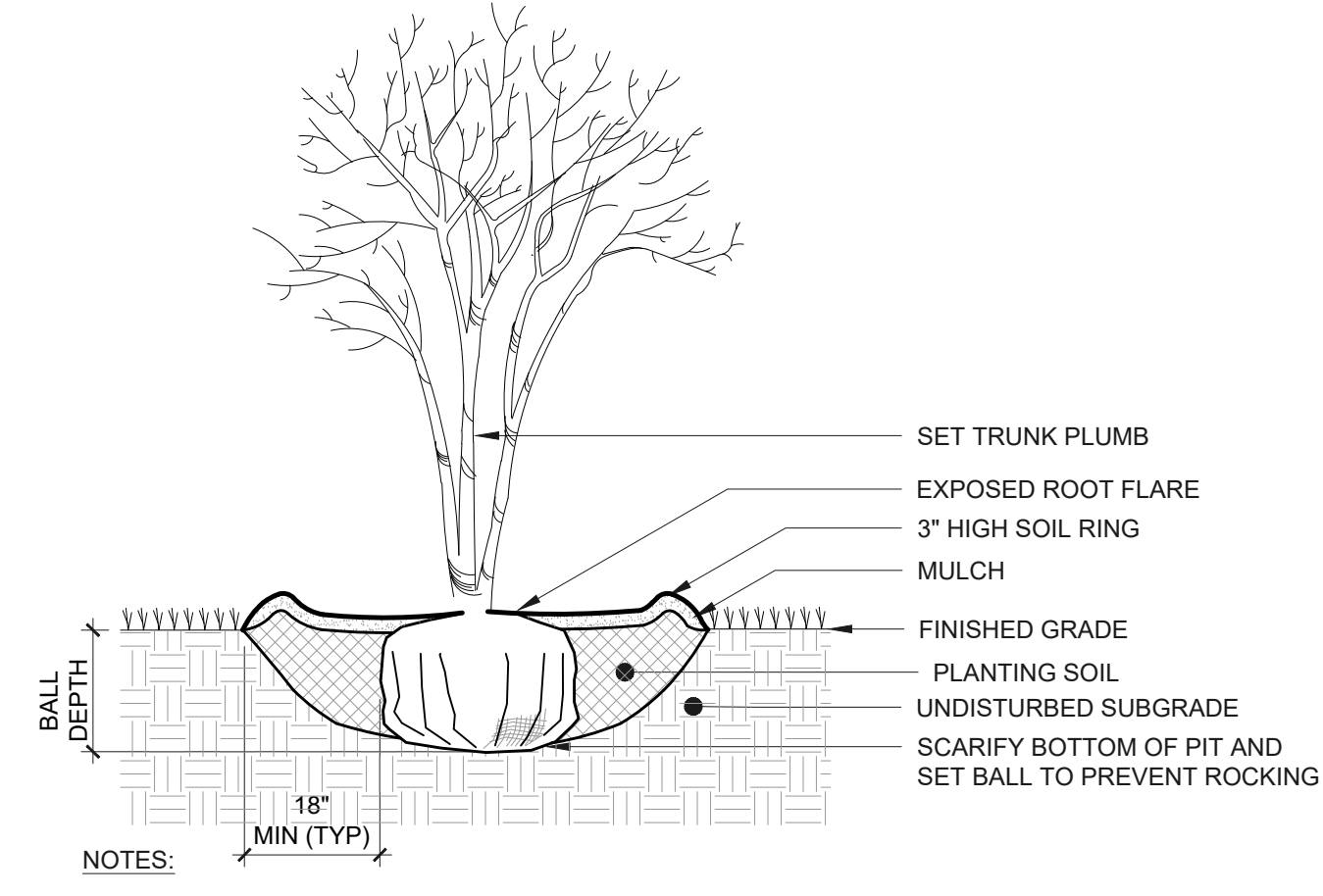
FOR PERMITTING ONLY
12/2/2021
NOT FOR CONSTRUCTION

DATE:	OCTOBER 13, 2021
SCALE:	N.T.S.
EDR Job#: 20201	
DRAWN BY:	ZR
FILE NAME:	C-600 SERIES.dwg
DRAWING NUMBER:	C-602



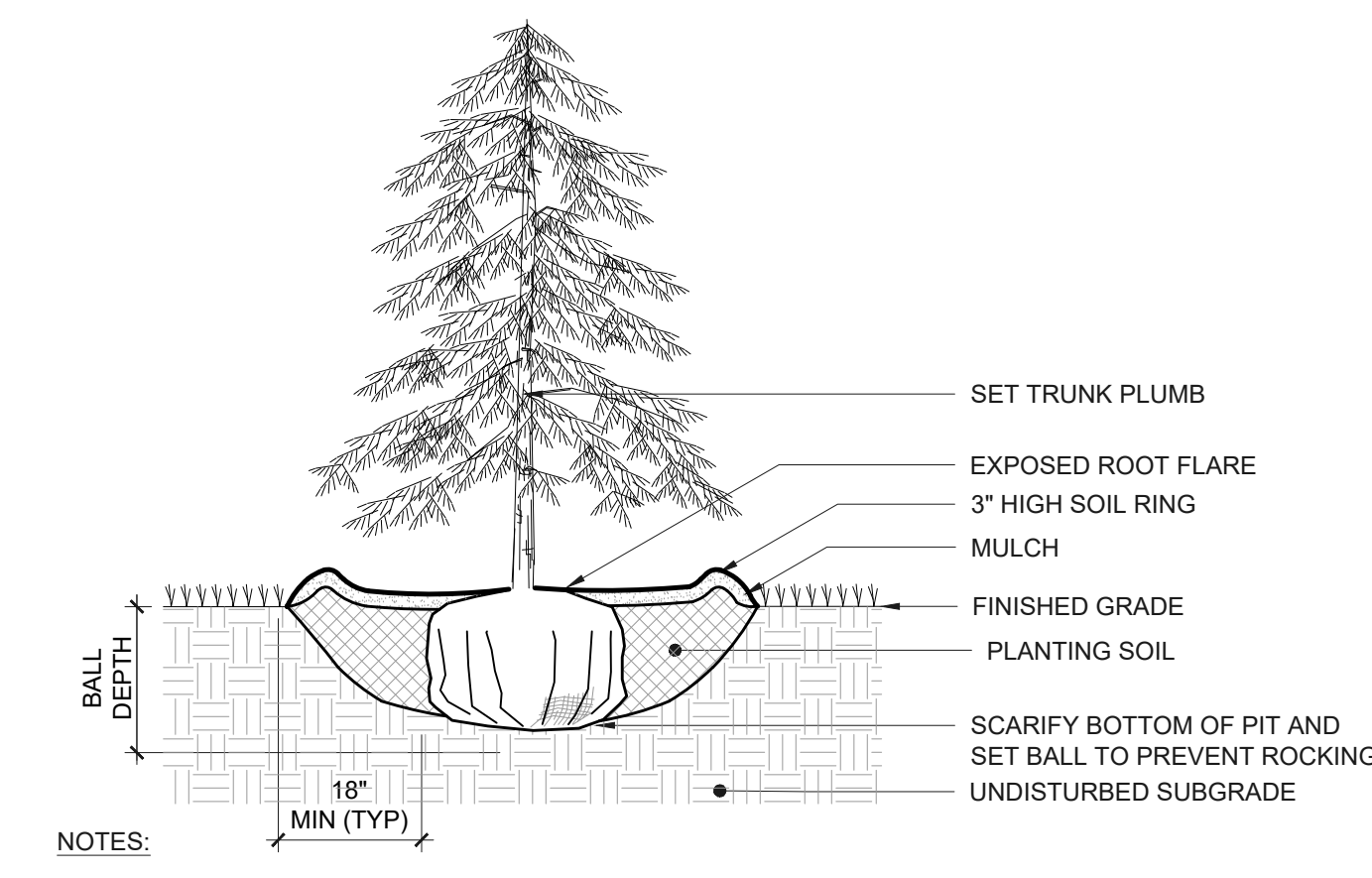
- NOTES:
1. REMOVE BURLAP, ROPE, OR WIRE BASKET FROM TOP 1/3 OF BALL MINIMUM, CUT REMAINING PORTIONS OF ROPE OR WIRE BASKET ONCE PLANT IS IN THE FINAL POSITION IN PIT.
 2. TOP OF ROOT BALL SHALL BE SET FLUSH WITH SURROUNDING FINISHED GRADE.

1 PLANTING - DECIDUOUS TREE
Scale: NTS



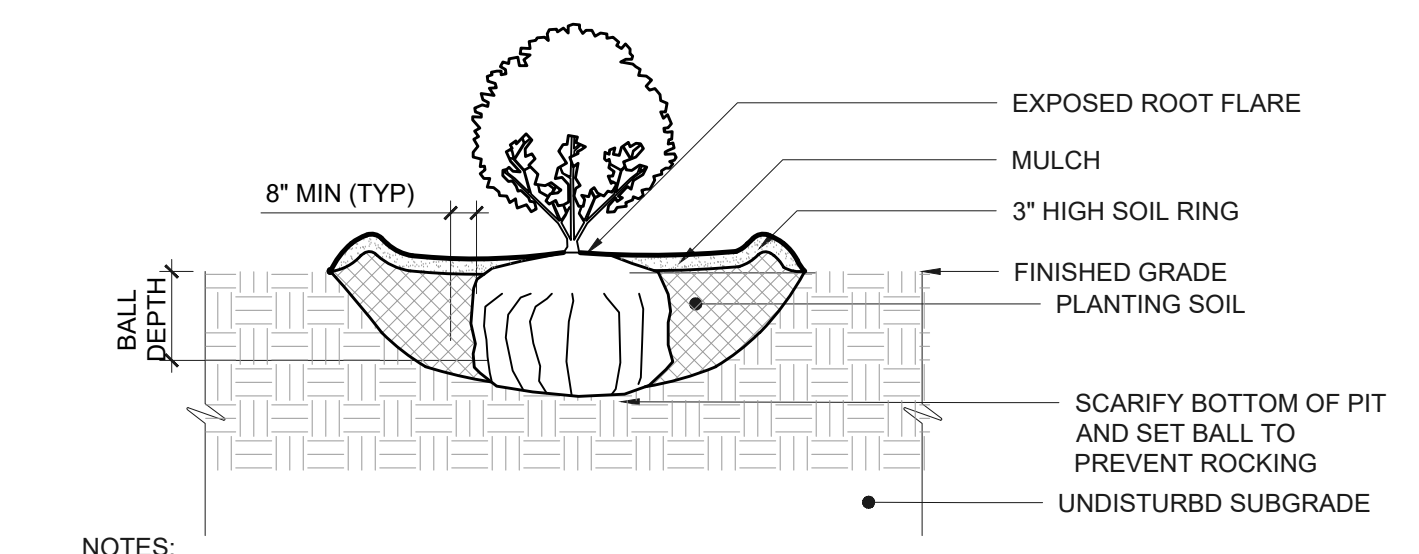
- NOTES:
1. REMOVE BURLAP, ROPE, OR WIRE BASKET FROM TOP 1/3 OF BALL MINIMUM, CUT REMAINING PORTIONS OF ROPE OR WIRE BASKET ONCE PLANT IS IN THE FINAL POSITION IN PIT.
 2. TOP OF ROOT BALL SHALL BE SET FLUSH WITH SURROUNDING FINISHED GRADE.

2 PLANTING - MULTI-STEM TREE
Scale: NTS



- NOTES:
1. REMOVE BURLAP, ROPE, OR WIRE BASKET FROM TOP 1/3 OF BALL MINIMUM, CUT REMAINING PORTIONS OF ROPE OR WIRE BASKET ONCE PLANT IS IN THE FINAL POSITION IN PIT.
 2. TOP OF ROOT BALL SHALL BE SET FLUSH WITH SURROUNDING FINISHED GRADE.

3 PLANTING - EVERGREEN TREE
Scale: NTS



- NOTES:
1. TOP OF ROOT BALL SHALL BE SET FLUSH WITH SURROUNDING FINISHED GRADE.
 2. SET PLANTS PLUMB

4 PLANTING - SHRUB
Scale: NTS

FOR PERMITTING ONLY
12/2/2021
NOT FOR CONSTRUCTION



©2021 Environmental Design & Research, Landscape Architecture, Engineering & Environmental Services, D.P.C. The following is excerpted from the New York Education Law, Article 142, Section 170.2. It is not to be construed as a contract. The use of this drawing is limited to the project and site for which it was prepared. It is not to be used for any other project or site without the written consent of Environmental Design & Research, Landscape Architecture, Engineering & Environmental Services, D.P.C. The use of this drawing for any other project or site without the written consent of Environmental Design & Research, Landscape Architecture, Engineering & Environmental Services, D.P.C. is strictly prohibited. The use of this drawing for any other project or site without the written consent of Environmental Design & Research, Landscape Architecture, Engineering & Environmental Services, D.P.C. is strictly prohibited. The use of this drawing for any other project or site without the written consent of Environmental Design & Research, Landscape Architecture, Engineering & Environmental Services, D.P.C. is strictly prohibited.

DRAWING REVISIONS	
NO.	DATE
1	10/13/2021
2	12/2/2021
3	
4	

PROJECT TITLE:	PIVOT SOLAR NY 5
PROJECT LOCATION:	TOWN OF TICONDEROGA, ESSEX COUNTY, NEW YORK
CLIENT:	PIVOT ENERGY
DRAWING TITLE:	DETAILS

DATE:	OCTOBER 13, 2021
SCALE:	N.T.S.
EDR Job#: 20201	
DRAWN BY:	ZR
FILE NAME:	C-600 SERIES.dwg
DRAWING NUMBER:	C-603