


THIS IS A TWO-SIDED DOCUMENT

 <p>NEW YORK STATE OF OPPORTUNITY.</p> <p>Adirondack Park Agency</p> <p>PO Box 99 · 1133 NYS Route 86 Ray Brook, NY 12977 Tel: (518) 891-4050 www.apa.ny.gov</p>	<p>APA General Permit/Order 2019G-1</p>	<p>Permit #:2024-0070</p>
	<p>Certification for the Replacement of Certain Utility Poles</p>	

This certification under General Permit 2019G-1 is granted to Westelcom Network INC., authorizing the replacement of utility poles as described herein in the Town of Elizabethtown, Essex County.

All terms and conditions of this certification shall apply to the applicant and any individual, contractor, municipality, or other entity undertaking the authorized work on the project site.

This certification does not grant any right to trespass upon the lands or interfere with the riparian rights of others, nor does it authorize the impairment of any easement, right, title, or interest in real or personal property.

Nothing contained in this certification shall be construed to satisfy any legal obligations of the applicant to comply with all applicable laws and regulations or to obtain any governmental approval or permit from any entity other than the Agency, whether federal, state, regional, or local.

PROJECT DESCRIPTION AS PROPOSED

The project as conditionally approved herein involves replacement of an existing 34-foot-tall utility pole with a new pole with an overall height of 43 feet above ground level.

The project is shown on the following Site Plan titled "Site Plan," prepared by Westelcom Network INC., and dated March 7, 2024.

A reduced-scale copy of the Site Plan for the project, shown on "Site Plan" and dated March 7, 2024, is attached to this certificate for easy reference. The original, full-scale maps and plans described in this paragraph are the official plans for the project, with copies available upon request from Adirondack Park Agency headquarters in Ray Brook, New York.

CONDITIONS

1. The height and location of the replacement utility poles and any associated vegetative cutting and maintenance shall comply with all applicable utility laws, regulations, safety requirements, and company specifications.
2. For projects involving wetlands:
 - a. Whenever practicable, access through wetlands shall occur on frozen ground and with the use of wide-tracked vehicles.

- b. All activities shall occur in compliance with the “Best Management Practice for Preventing the Transportation of Invasive Plant Species,” published by Environmental Energy Alliance of New York, 4/26/2012.
 - c. No temporary access structure, including bog mats and work pads, shall be located within a wetland for more than 30 days.
 - d. Existing poles to be replaced shall be removed completely from the wetland, including the portion of the pole that was below grade.
 - e. If any hole left after removal of a pole or created for a replacement pole is to be backfilled with gravel or other ballast, the top six inches shall be covered with organic soil and the final elevation shall be the same as the surrounding wetland surface.
 - f. The total area of wetland disturbance shall be limited to that necessary for replacement of the utility poles.
3. When brought from off-site, all vehicles, construction equipment, and hand excavation tools to be used on the project site shall be clean and free of soil, mud, or other similar material. If washed on the project site, equipment shall be washed in one location to prevent the distribution of propagules among different wash sites. All vehicles, construction equipment, and hand excavation tools used in areas that may contain existing invasive species shall be thoroughly cleaned prior to moving to other areas.
 4. The Agency may conduct on-site investigations, examinations, and evaluations as it deems necessary to ensure compliance with the terms and conditions of this certification.

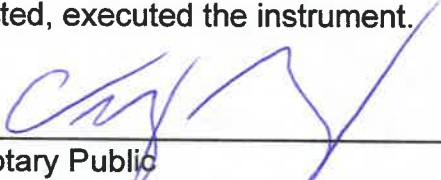
CERTIFICATION issued this 12th day
of MARCH, 2024

ADIRONDACK PARK AGENCY

BY: 
David J. Plante, AICP CEP
Deputy Director, Regulatory Programs

STATE OF NEW YORK
COUNTY OF ESSEX

On the 12th day of MARCH in the year 2024, before me, the undersigned, a Notary Public in and for said State, personally appeared David J. Plante, personally known to me or proved to me on the basis of satisfactory evidence to be the individual whose name is subscribed to the within instrument and acknowledged to me that they executed the same in their capacity, and that by their signature on the instrument, the individual, or the person upon behalf of which the individual acted, executed the instrument.


Notary Public

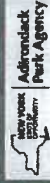
Craig A. Michaels
Notary Public, State of New York
Reg. No. 02MI6413384
Qualified in Essex County
Commission Expires January 25, 2025

Untitled Map

Write a description for your map.

Legend

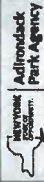
Line 399 Pole 15-1



Adirondack Park Agency

RECEIVED

Date: March 7, 2024



Adirondack Park Agency

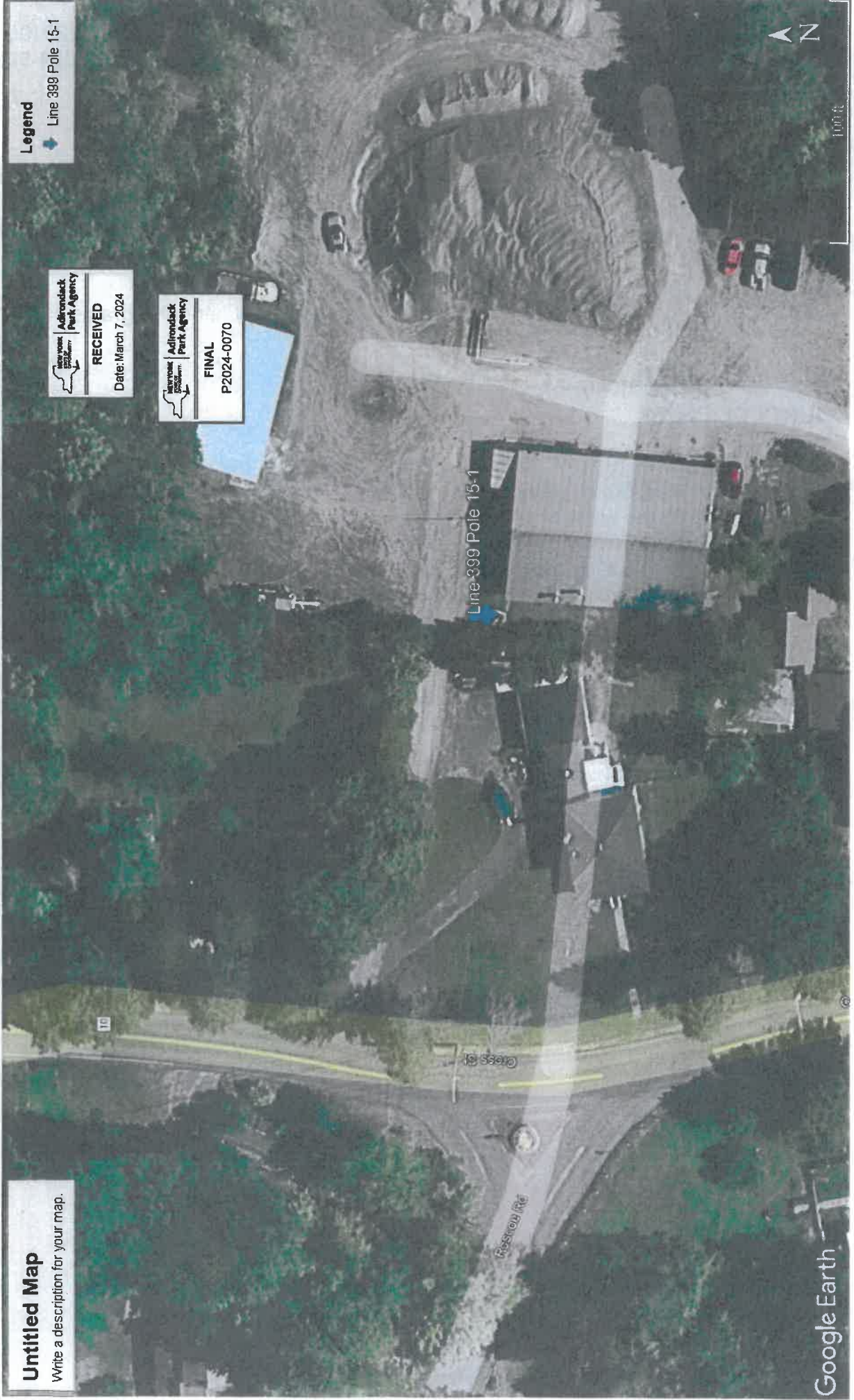
FINAL

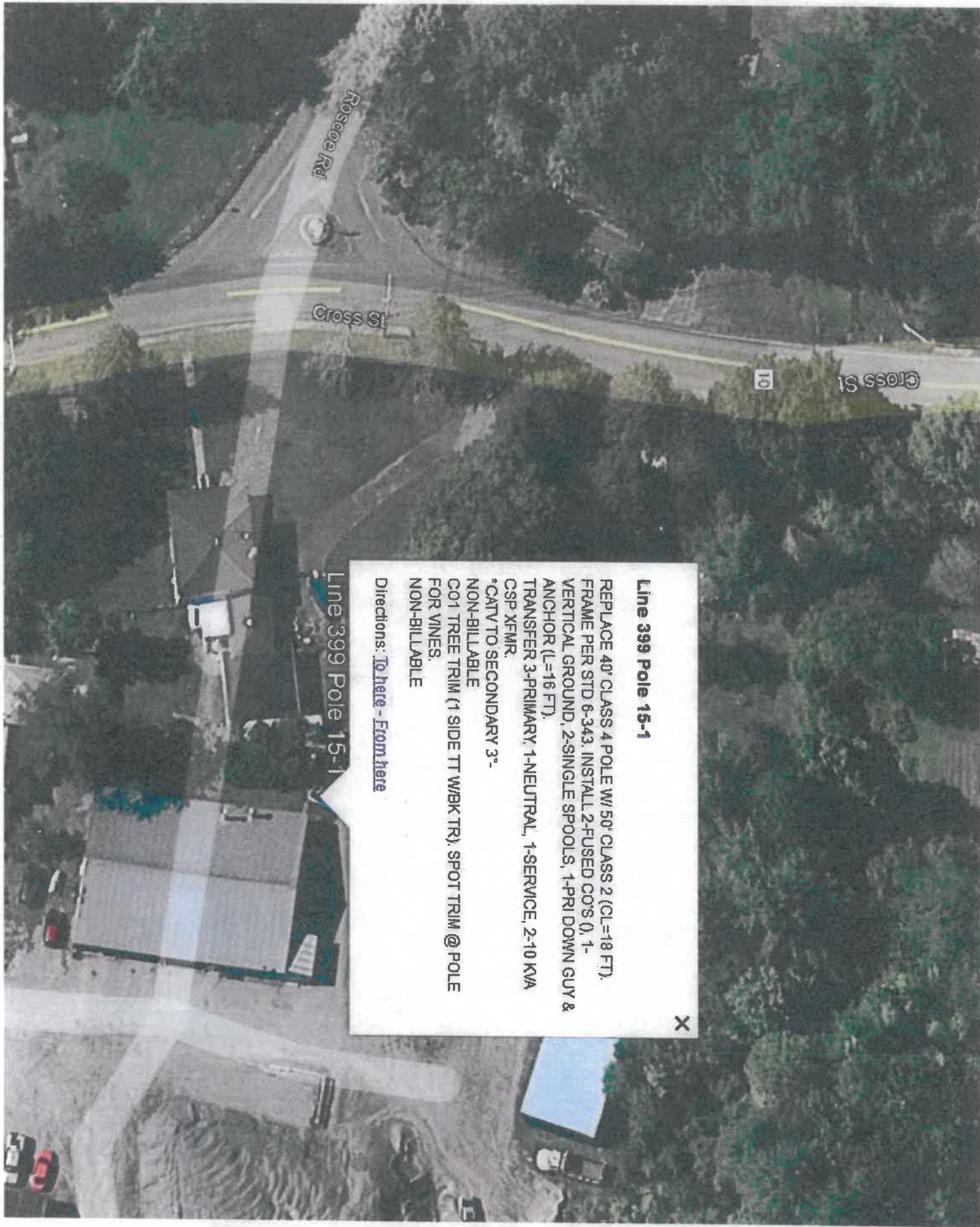
P2024-0070

Line 399 Pole 15-1

Google Earth

1000 ft





Roscoe Rd

Cross St

10

Cross St

Line 399 Pole 15-1

REPLACE 40' CLASS 4 POLE W/ 50' CLASS 2 (CL=18 FT).
FRAME PER STD 6-343. INSTALL 2-FUSED CO'S 0, 1-
VERTICAL GROUND, 2-SINGLE SPOOLS, 1-PRI DOWN GUY &
ANCHOR (L=16 FT).
TRANSFER 3-PRIMARY, 1-NEUTRAL, 1-SERVICE, 2-10 KVA
CSP XFMR.
*CATV TO SECONDARY 3'-
NON-BILLABLE
CO1 TREE TRIM (1 SIDE TT W/BK TR), SPOT TRIM @ POLE
FOR VINES.
NON-BILLABLE

Directions: To here - From here

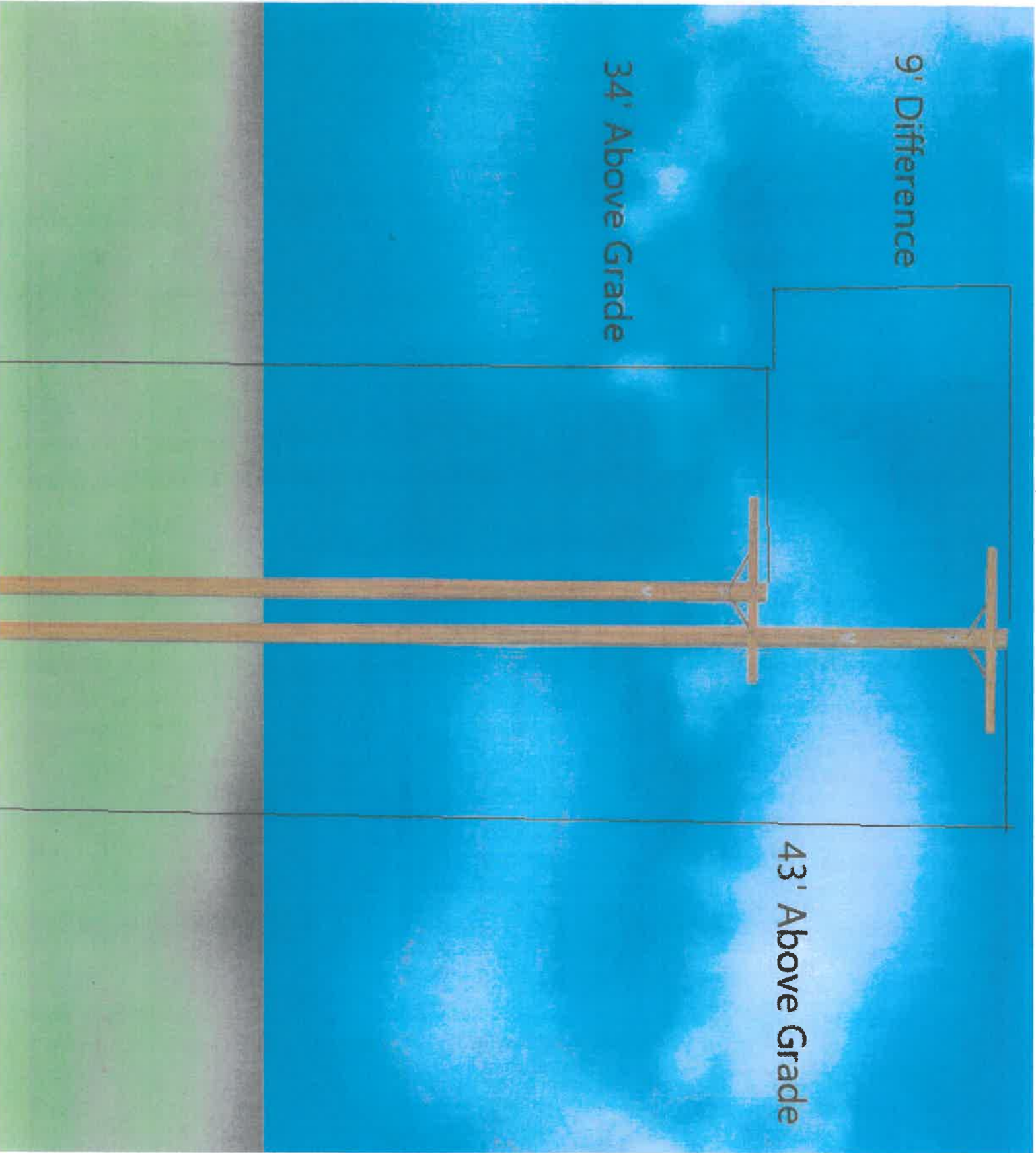
Line 399 Pole 15-1

X

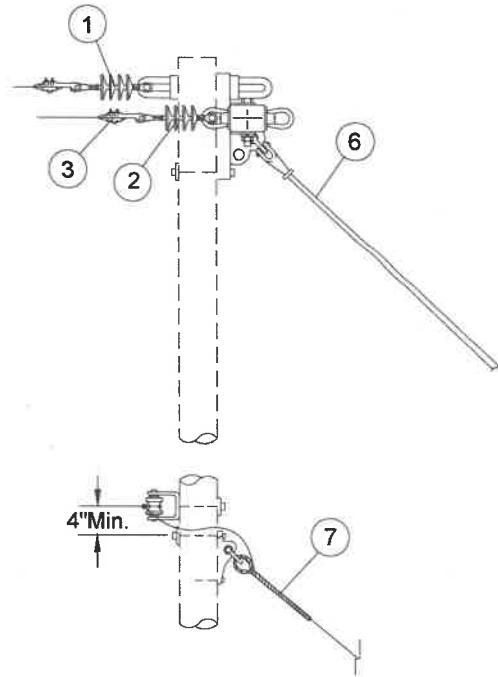
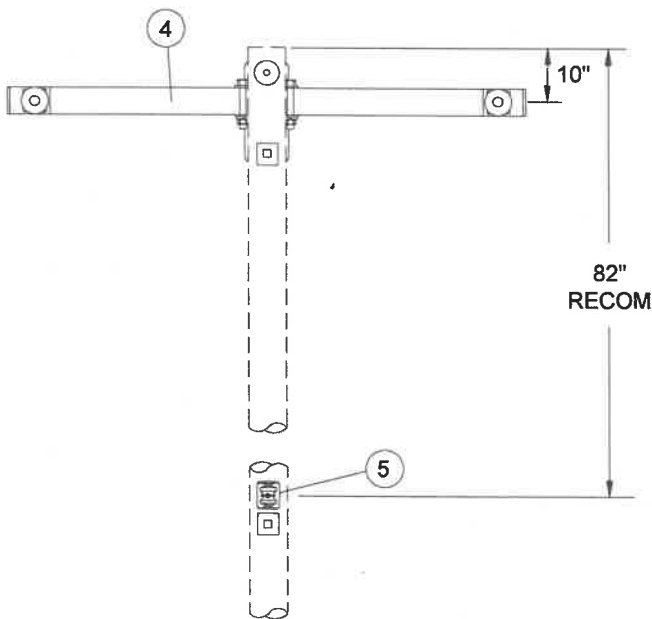
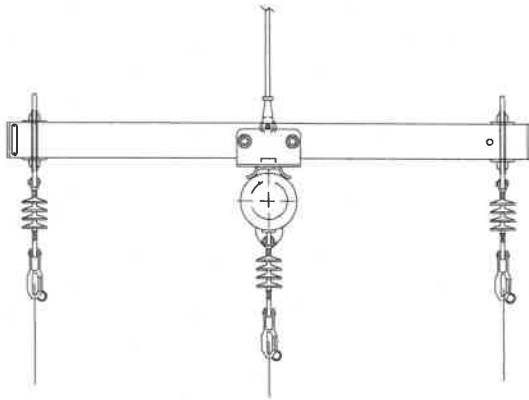
9' Difference

34' Above Grade

43' Above Grade



Conductor	1/0A	4/0A	336	477
Maximum Span(ft.)	350/300@rdXing	325/310@rdXing	280	250



NOTES:

A. NYSEG uses 8" screw anchor, 7' rod, and 3/8" guy wire. RG&E uses 20" plate anchor, 8' rod and 7/16" guy wire for insulated guy and 5/16" guy wire for grounded guy.

		ELECTRIC DISTRIBUTION OH CONSTRUCTION STANDARDS MANUAL		C MC6-3XDE*	
		Designed BY: DR	Approved By: JMH	Date: 5/13/08	Rev.: 0