


THIS IS A TWO-SIDED DOCUMENT

 <p><b>NEW YORK</b> STATE OF OPPORTUNITY.</p> <p><b>Adirondack Park Agency</b></p> <p>P.O. Box 99, 1133 NYS Route 86 Ray Brook, New York 12977 Tel: (518) 891-4050 www.apa.ny.gov</p>	<p>APA Permit <b>2023-0097</b></p>
<p>In the Matter of the Application of</p> <p><b>NATIONAL GRID</b> <b>Permittee</b></p> <p>for a permit pursuant to § 809 of the Adirondack Park Agency Act</p>	<p>Date Issued: July 19, 2023</p> <p>To the County Clerk: Please index this permit in the grantor index under the following names: <b>1. National Grid</b></p>

**SUMMARY AND AUTHORIZATION**

This permit authorizes utility pole structures greater than 40 feet in height in areas classified Hamlet and Low Intensity Use on the Adirondack Park Land Use and Development Plan Map in the Towns of North Hudson and Schroon, Essex County.

This authorization shall expire unless recorded in the Essex County Clerk's Office within 60 days of issuance of a signed and notarized permit. The signed and notarized permit shall be recorded in the names of all persons listed above and in the names of all owners of record of any portion of the project site on the recordation date.

The project shall not be undertaken or continued unless the project authorized herein is in existence within five years of the date the permit is recorded in the Essex County Clerk's Office. The Agency will consider the project in existence when one of the authorized utility poles has been installed.

The project shall be undertaken in compliance with all conditions stated herein. Failure to comply with this permit is a violation and may subject the permittee, successors, and assigns to civil penalties and other legal proceedings.

This permit does not convey any right to trespass upon the lands or interfere with the riparian rights of others in order to undertake the authorized project, nor does it authorize the impairment of any easement, right, title or interest in real or personal property.

Nothing contained in this permit shall be construed to satisfy any legal obligations of the permittee to comply with all applicable laws and regulations or to obtain any governmental approval or permit from any entity other than the Agency, whether federal, State, regional, or local.

## **PROJECT SITE**

The project site is located within an existing highway and utility right-of-way located on US Route 9 in the Towns of North Hudson and Schroon, Essex County, in areas classified Hamlet and Low Intensity Use on the Adirondack Park Land Use and Development Plan Map.

## **PROJECT DESCRIPTION**

The project as conditionally approved herein involves the installation of one new midspan utility pole (Structure 63.5) and one replacement utility pole (Structure 21). The installed poles will have a finished overall height of 43 feet above grade and will include three pole-mounted regulators approximately 30 feet above grade.

The project is shown on the following Project Plans:

- two sheets prepared by National Grid stamped Final by the Agency; and
- one sheet titled "Overhead Construction Standard," prepared by National Grid issued 7/22.

A copy of the Overhead Construction Standard is attached as a part of this permit for reference.

## **AGENCY JURISDICTION**

Pursuant to Section 809(2)(a) of the Adirondack Park Agency Act, a permit is required from the Adirondack Park Agency prior to the construction of any structure in excess of 40 feet in height on Hamlet and Low Intensity Use lands in the Adirondack Park.

## **CONDITIONS**

### **THE PROJECT IS APPROVED SUBJECT TO THE FOLLOWING CONDITIONS:**

1. The project shall not be undertaken until this permit has been recorded in the Essex County Clerk's Office.
2. This permit is binding on the permittee, all present and future owners or lessees of the project site, and all persons undertaking all or a portion of the project, for as long as the authorized structures remain on the site. Copies of this permit and the Project Plans shall be furnished by the permittee to all subsequent owners or lessees of the project site prior to sale or lease, and by the permittee and/or any subsequent owner or lessee to all persons undertaking any development activities authorized herein.
3. In addition to complying with all terms and conditions of this permit, all future activities on the project site shall be undertaken in compliance with the requirements of New York State's Adirondack Park Agency Act, Freshwater Wetlands Act, and the Adirondack Park Agency's implementing regulations [9 NYCRR §§ 570-588].

- 4. This permit authorizes the replacement of Structure 21 and the installation of Structure 63.5 in the location shown and as depicted on the Project Plans. Any change to the location, dimensions, or other aspect of the authorized structures shall require prior written Agency authorization.
- 5. Any lighting associated with the authorized structures shall require prior written Agency authorization.

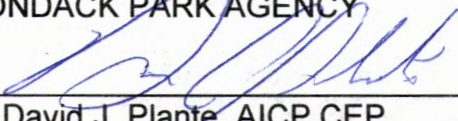
**CONCLUSIONS OF LAW**

The Agency has considered all statutory and regulatory criteria for project approval set forth in the Adirondack Park Agency Act and 9 NYCRR Part 574. The Agency hereby finds that the project authorized as conditioned herein:

- a. will be consistent with the land use and development plan;
- b. will be compatible with the character description and purposes, policies, and objectives of the Hamlet and Low Intensity Use land use areas;
- c. will be consistent with the overall intensity guidelines for the Hamlet and Low Intensity Use land use areas;
- d. will comply with the shoreline restrictions of § 806 of the Adirondack Park Agency Act; and
- e. will not have an undue adverse impact upon the natural, scenic, aesthetic, ecological, wildlife, historic, recreational or open space resources of the Park or upon the ability of the public to provide supporting facilities and services made necessary by the project.

PERMIT issued this 19<sup>th</sup> day  
of July, 2023.

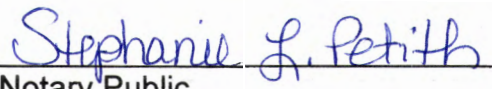
ADIRONDACK PARK AGENCY

BY:   
David J. Plante, AICP CEP  
Deputy Director, Regulatory Programs

STATE OF NEW YORK  
COUNTY OF ESSEX

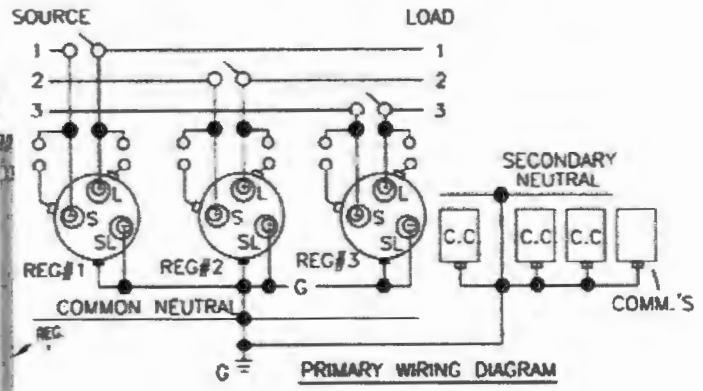
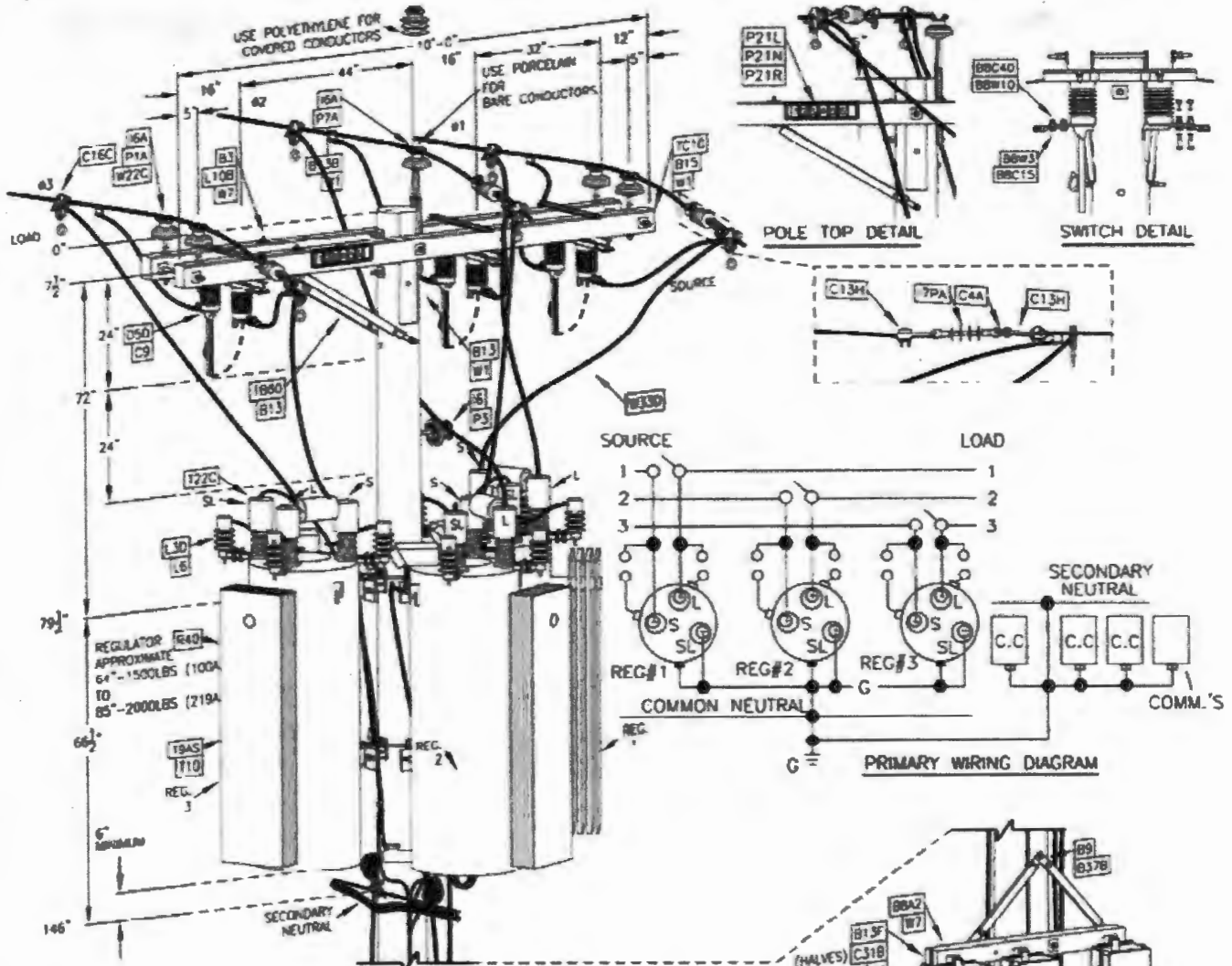
On the 19<sup>th</sup> day of July in the year 2023, before me, the undersigned, a Notary Public in and for said State, personally appeared David J. Plante, personally known to me or proved to me on the basis of satisfactory evidence to be the individual whose name is subscribed to the within instrument and acknowledged to me that they executed the same in their capacity, and that by their signature on the instrument, the individual, or the person upon behalf of which the individual acted, executed the instrument.

Stephanie L. Petith  
Notary Public, State of New York  
Reg. No. 01PE6279890  
Qualified in Franklin County  
Commission Expires April 15, 2025

  
Notary Public

MU = @C/K3R590D

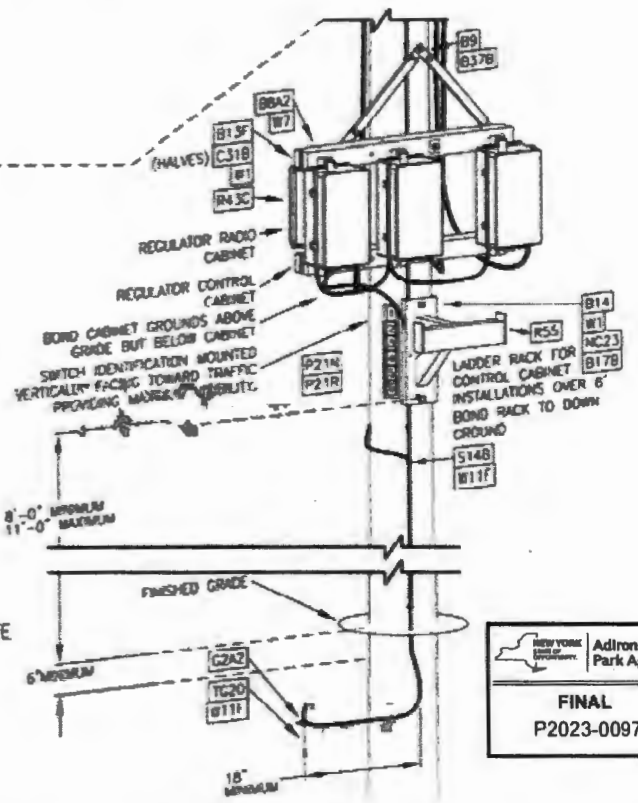
Three Regulators, (C) = (228)=76.2kVA or (501)=167kVA  
 (V) = (416/24)=2.4kV or (124/72)=12.4/7.2kV or (132/76)=7.62kV or (138/7.9)=13.8/7.9kV



Supersedes 7/21 Issue - Added bypass switch number

**NOTES:**

1. WHERE PRACTICAL THE PREFERRED INSTALLATION LOCATION IS AWAY FROM VEHICULAR TRAFFIC.
2. EXTERNAL SERIES OR BY-PASS ARRESTER(S), IF PRESENT, SHOULD NOT BE DISCONNECTED.
3. DO NOT CLOSE BY-PASS SWITCHES (D5) WITH LOAD CURRENT FLOWING THROUGH THE REGULATOR UNLESS REGULATOR IS IN THE NEUTRAL POSITION. WHEN CONNECTING REGULATORS, PLACE IN NEUTRAL POSITION, THEN CONNECT SL (COMMON) TERMINAL, THEN CONNECT S (SOURCE) TERMINAL FOLLOWED, LASTLY, BY THE L (LOAD) TERM.
4. REGULATOR SL (COMMON) TERMINAL MUST BE SOLIDLY GROUNDED WHEN CONNECTING OR DISCONNECTING S (SOURCE) OR L (LOAD) TAPS TO THE PRIMARY FOR THE SAFETY OF PERSONNEL AND EQUIPMENT.
5. REGULATORS MAY BE SIZE MIXED, PROVIDED EACH IS ADEQUATE FOR MAXIMUM EXPECTED LOAD CURRENT.
6. LARGER DIAMETER POLES MAY REQUIRE ADDITIONAL BAND SEGMENTS AND SO ADDITIONAL STEEL BRACKET (T9AS) ASSEMBLY MAY BE NEEDED.
7. SEE SECTION 25 FOR TELECOM REQUIREMENTS.
8. PRIMARY PHASES NEED TO BE IDENTIFIED WITH APPROPRIATE TESTING METER AND LABELED PER SECTION 2.1.30
9. REFER TO PAGES 13-111 AND 13-113 FOR GROUNDING DETAILS.



Designer	Drawing	Date
LMR	ed15131	8/23/22

Adirondack  
 Park Agency  
**FINAL**  
 P2023-0097

<b>3Φ REGULATOR INSTALLATION EFFECTIVELY GROUNDED 15 KV</b>			
nationalgrid	OVERHEAD CONSTRUCTION STANDARD	PAGE NUMBER	ISSUE
		15-131	7/22