


THIS IS A TWO-SIDED DOCUMENT

 <p>NEW YORK STATE OF OPPORTUNITY.</p> <p>Adirondack Park Agency</p> <p>P.O. Box 99, 1133 NYS Route 86 Ray Brook, New York 12977 Tel: (518) 891-4050 www.apa.ny.gov</p>	<p>APA Permit 2024-0032</p>
<p>In the Matter of the Application of</p> <p>NATIONAL GRID Permittee</p> <p>for a permit pursuant to § 809 of the Adirondack Park Agency Act and 9 NYCRR Part 578</p>	<p>Date Issued: April 2, 2024</p> <p>To the County Clerk: Please index this permit in the grantor index under the following names: 1. National Grid</p>

SUMMARY AND AUTHORIZATION

This permit authorizes installation of a new midspan utility pole structure in an area in an area classified Rural Use on the Adirondack Park Land Use and Development Plan Map in the Town of Edinburg, Saratoga County.

This authorization shall expire unless recorded in the Saratoga County Clerk's Office within 60 days of issuance of a signed and notarized permit. The signed and notarized permit shall be recorded in the names of all persons listed above and in the names of all owners of record of any portion of the project site on the recordation date.

The project shall not be undertaken or continued unless the project authorized herein is in existence within five years of the date the permit is recorded in the Saratoga County Clerk's Office. The Agency will consider the project in existence when the authorized utility pole has been installed.

The project shall be undertaken in compliance with all conditions stated herein. Failure to comply with this permit is a violation and may subject the permittee, successors, and assigns to civil penalties and other legal proceedings.

This permit does not convey any right to trespass upon the lands or interfere with the riparian rights of others in order to undertake the authorized project, nor does it authorize the impairment of any easement, right, title or interest in real or personal property.

Nothing contained in this permit shall be construed to satisfy any legal obligations of the permittee to comply with all applicable laws and regulations or to obtain any governmental approval or permit from any entity other than the Agency, whether federal, State, regional, or local.

PROJECT SITE

The project site is located within an existing transportation and utility right of way located on Tennantville Road in the Town of Edinburg, Saratoga County, in an area classified Rural Use on the Adirondack Park Land Use and Development Plan Map.

PROJECT DESCRIPTION

The project as conditionally approved herein involves the installation of one new midspan utility pole along an existing electricity distribution line within the Tennantville Road transportation and utility right-of-way. The pole will be 38.5 feet above grade with an additional pole-top antenna for National Grid communication equipment for an overall height of 43.25 feet above grade.

The project is shown on the following Project Plans:

- A plan sheet titled "National Grid USA 35-23-30831396-1-10," prepared by Sean Robinson, National Grid, and dated December 27, 2023 (Site Plan); and
- A one-page narrative titled "New pole install" un-signed, and received by the Agency on February 8, 2024 (Work Plan).

A reduced scale copy of the plans is attached to this permit for reference.

AGENCY JURISDICTION

Pursuant to Section 809(2)(a) of the Adirondack Park Agency Act, a permit is required from the Adirondack Park Agency prior to the construction of any structure in excess of 40 feet in height on Rural Use lands in the Adirondack Park.

THE PROJECT IS APPROVED SUBJECT TO THE FOLLOWING CONDITIONS:

1. The project shall not be undertaken until this permit has been recorded in the Saratoga County Clerk's Office.
2. This permit is binding on the permittee, all present and future owners or lessees of the project site, and all persons undertaking all or a portion of the project, for as long as the authorized structure remains on the site. Copies of this permit and Project Plans shall be furnished by the permittee to all subsequent owners or lessees of the project site prior to sale or lease, and by the permittee and/or any subsequent owner or lessee to all persons undertaking any development activities authorized herein.
3. In addition to complying with all terms and conditions of this permit, all future activities on the project site shall be undertaken in compliance with the requirements of New York State's Adirondack Park Agency Act, Freshwater Wetlands Act, and the Adirondack Park Agency's implementing regulations [9 NYCRR §§ 570-588].

4. This permit authorizes the installation of Structure 29-A in the location shown and as depicted and described in the Project Plans. Any change to the location, dimensions, or other aspect of the authorized structure shall require prior written Agency authorization.
5. Any lighting associated with the authorized structure shall require prior written Agency authorization.
6. The project shall be undertaken in compliance with the Erosion and Sediment Control Plan.
7. When brought from off-site, all equipment, including but not limited to trucks, excavators, tractors, etc., and hand excavation tools such as shovels, rakes, and picks, to be used on the project site shall be clean and free of soil, mud, or other similar material. If washed on the project site, equipment shall be washed in one location to prevent the distribution of propagules among different wash sites.
8. The undertaking of any activity involving wetlands shall require a new or amended permit.

CONCLUSIONS OF LAW

The Agency has considered all statutory and regulatory criteria for project approval set forth in the Adirondack Park Agency Act, and 9 NYCRR Part 574. The Agency hereby finds that the project authorized as conditioned herein:

- a. will meet all of the pertinent requirements and conditions of the approved local land use program of the Town of Edinburg; and
- b. will not have an undue adverse impact upon the natural, scenic, aesthetic, ecological, wildlife, historic, recreational or open space resources of the Park or upon the ability of the public to provide supporting facilities and services made necessary by the project.

PERMIT issued this 2nd day
of April, 2024.

ADIRONDACK PARK AGENCY

BY: 
David J. Plante, AICP CEP
Deputy Director, Regulatory Programs

STATE OF NEW YORK
COUNTY OF ESSEX

On the 2nd day of April in the year 2024, before me, the undersigned, a Notary Public in and for said State, personally appeared David J. Plante, personally known to me or proved to me on the basis of satisfactory evidence to be the individual whose name is subscribed to the within instrument and acknowledged to me that they executed the same in their capacity, and that by their signature on the instrument, the individual, or the person upon behalf of which the individual acted, executed the instrument.

Stephanie L. Petith
Notary Public, State of New York
Reg No 01PE6279890
Qualified in Franklin County
Commission Expires April 15, 2025


Notary Public

NEW YORK STATE OF OPPORTUNITY
Adirondack Park Agency
RECEIVED
Date: February 8, 2024

NEW YORK STATE OF OPPORTUNITY
Adirondack Park Agency
FINAL
P2024-0032

National Grid (Figure 1)
WR 30831396

New pole install on Tennantville Road in the Town of Edinburg, Saratoga County NY.

The new wood pole install and pole top equipment height: 43.25'

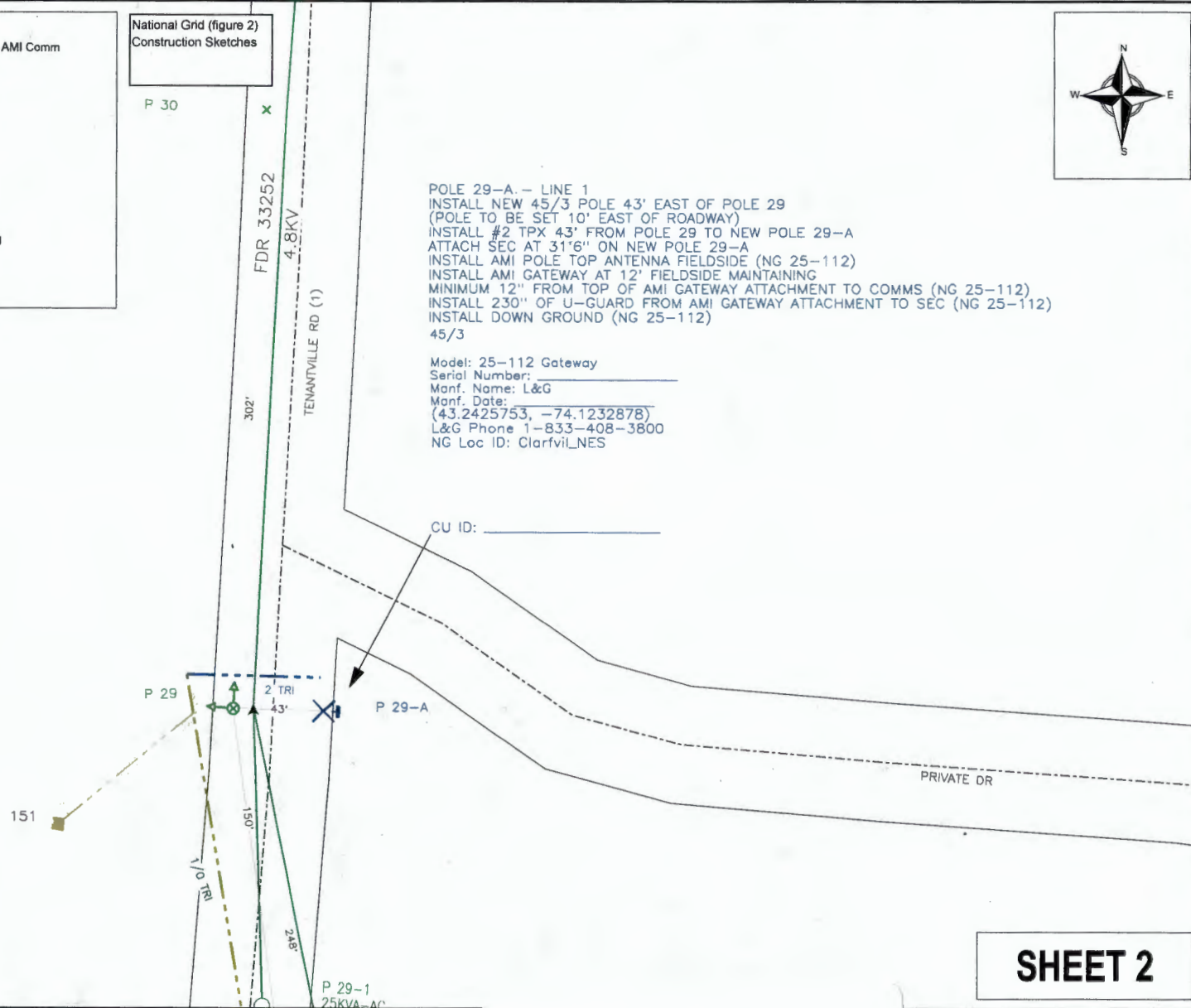


Reduced Scale Copy
Not for Tax Map Purposes

- Anchor - existing
- Comm Installation - ins_location - AMI Comm
- Electric Arrow - route
- OH Transformer (1ph) - existing
- Pole (Joint) - existing
- Pole (Sole NG) - existing
- Pole (Sole NG) - install
- Primary OH (1ph) - existing
- Primary OH (3ph) - existing
- Primary UG (3ph) - existing
- Secondary OH - existing
- Secondary OH - install
- Secondary Service (OH) - existing
- Service Point - non-critical
- Transformer Connection

National Grid (figure 2)
Construction Sketches

P 30



POLE 29-A. - LINE 1
 INSTALL NEW 45/3 POLE 43' EAST OF POLE 29
 (POLE TO BE SET 10' EAST OF ROADWAY)
 INSTALL #2 TPX 43' FROM POLE 29 TO NEW POLE 29-A
 ATTACH SEC AT 31'6" ON NEW POLE 29-A
 INSTALL AMI POLE TOP ANTENNA FIELDSIDE (NG 25-112)
 INSTALL AMI GATEWAY AT 12' FIELDSIDE MAINTAINING
 MINIMUM 12" FROM TOP OF AMI GATEWAY ATTACHMENT TO COMMS (NG 25-112)
 INSTALL 230" OF U-GUARD FROM AMI GATEWAY ATTACHMENT TO SEC (NG 25-112)
 INSTALL DOWN GROUND (NG 25-112)
 45/3

Model: 25-112 Gateway
 Serial Number: _____
 Manf. Name: L&G
 Manf. Date: _____
 (43.2425753, -74.1232878)
 L&G Phone 1-833-408-3800
 NG Loc ID: Clarvfi_NES

CU ID: _____

P 29-1
25KVA-AC



100 FT

50

0

MAINTAIN MAP/POLE/UTILITY CONVEYANCES (IF APPLICABLE) REQUIRED

35-23-30831396 1-10

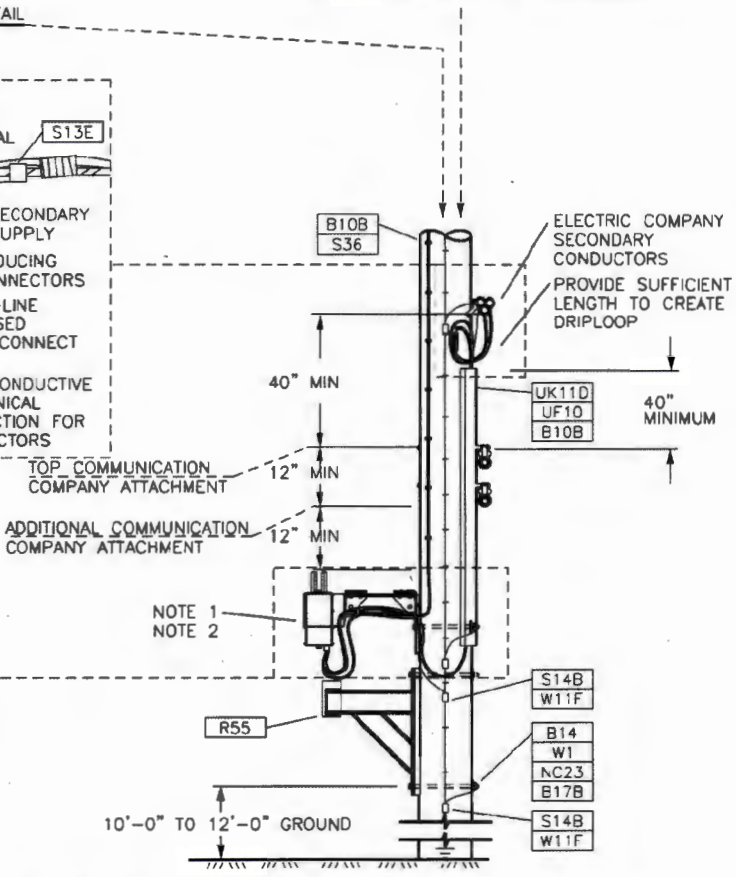
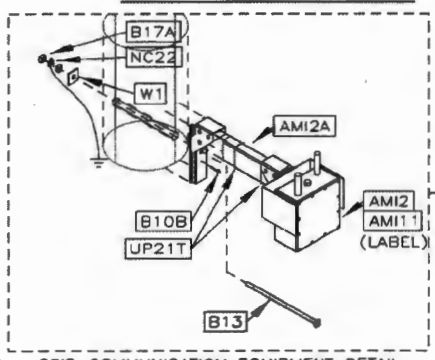
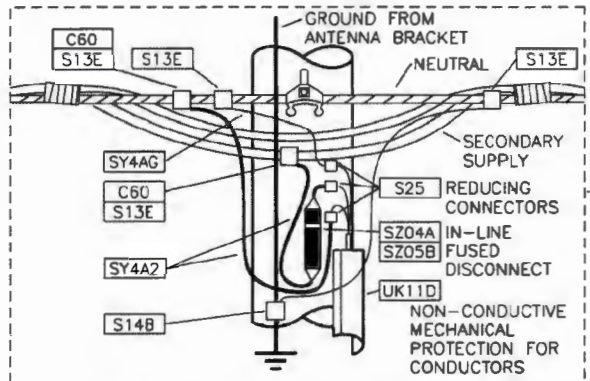
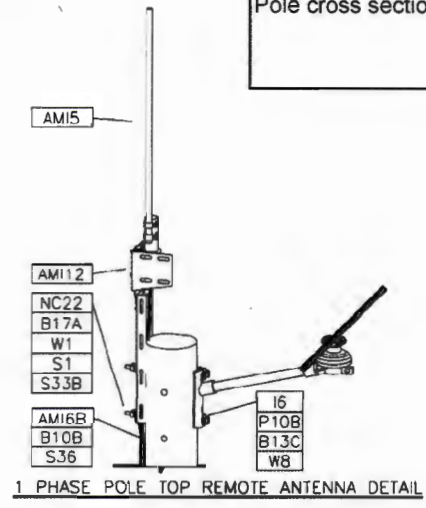
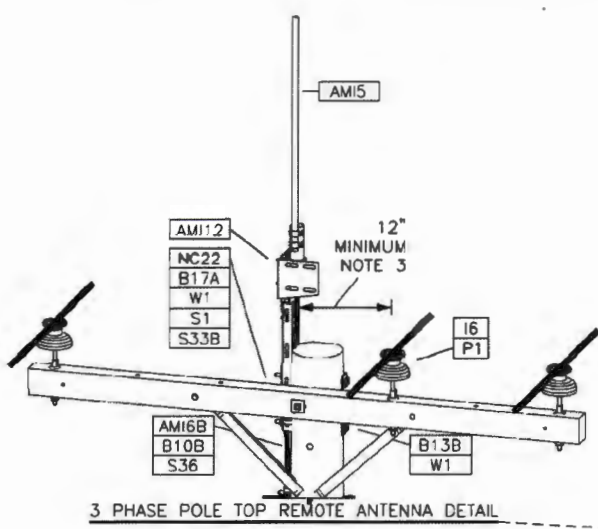
NATIONAL GRID USA

WORK REQUEST: 35-23-30831396	DATE: 12/27/2023	DISPATCHER: Robinson, Sean (US)	JOB TITLE: (2) GATEWAY 1	FOREMAN SIG:
DESCRIPTION: (2) GATEWAY 1	DATE: 12/27/2023	DISPATCHER: Robinson, Sean (US)	JOB TITLE: (2) GATEWAY 1	FOREMAN SIG:
AS BUILT CHANGES	PHONE NUMBER: (315) 257-7182	DATE:	SHEET: 2 OF 2	STUFFY SIG:
BUILT AS DESIGNED	TD/T/C: 7822	PROVIDER NO: 39263	DATE:	STUFFY SIG:

SHEET 2

**Reduced Scale Copy
Not for Tax Map Purposes**

National Grid (Figure 3)
Pole cross section



- NOTES:
- POLES SELECTED FOR GRID COMMUNICATION EQUIPMENT MOUNTED BELOW THE COMMUNICATION SPACE SHALL BE RELATIVELY "CLEAN" POLES, FREE OF ANY OTHER MAJOR EQUIPMENT BELOW THE COMMUNICATION SPACE, AND ACCESSIBLE BY BUCKET TRUCK THROUGHOUT THE YEAR. GRID COMMUNICATION EQUIPMENT MOUNTED BELOW THE COMMUNICATION SPACE SHALL NOT BE INSTALLED ON POLES WITH HANDLE-OPERATED AIRBREAK OR LOADBREAK SWITCHES, LINE RECLOSERS, SECTIONALIZERS, CAPACITORS, VOLTAGE REGULATORS, TRANSFORMERS, PRIMARY RISERS, MAJOR COMMUNICATIONS OR FIRE ALARM EQUIPMENT, OTHER ANTENNAS, AND BACKYARD POLES.
 - THE PREFERRED ORIENTATION IS TO INSTALL THE AMI DEVICES OPPOSITE ROADWAY/TRAFFIC TO MAXIMIZE CLIMBING SPACE, SEE SECTION 7.
 - 12" MINIMUM HORIZONTAL CLEARANCE BETWEEN ENERGIZED PHASE AND ALL GROUNDED PARTS OF ANTENNA INCLUDING MOUNTING BRACKET AND HARDWARE.
- COMPANY INSTALLED GATEWAY WITH SINGLE REMOTE POLE TOP ANTENNA

Designer	Drawing	Date
MPR	oc25112	7/26/22

7/22 - New Drawing

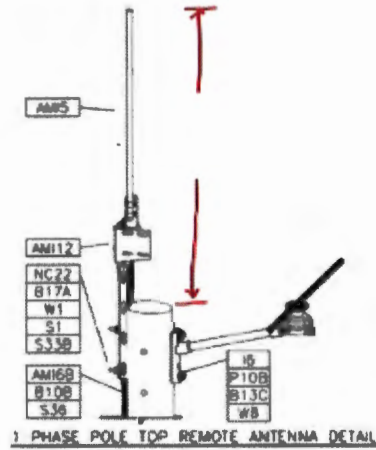
Reduced Scale Copy
Not for Tax Map Purposes

COMPANY INSTALLED GATEWAY WITH SINGLE REMOTE POLE TOP ANTENNA			
ISSUE	PAGE NUMBER	OVERHEAD CONSTRUCTION STANDARD	nationalgrid
7/22	25-112		

Gateway antenna pole top heights: **max height approx. 57 inches (4.75ft)**

Dipole Antenna is 39 inches

National Grid (Figure 4)
Pole top equipment



Reduced Scale Copy
Not for Tax Map Purposes