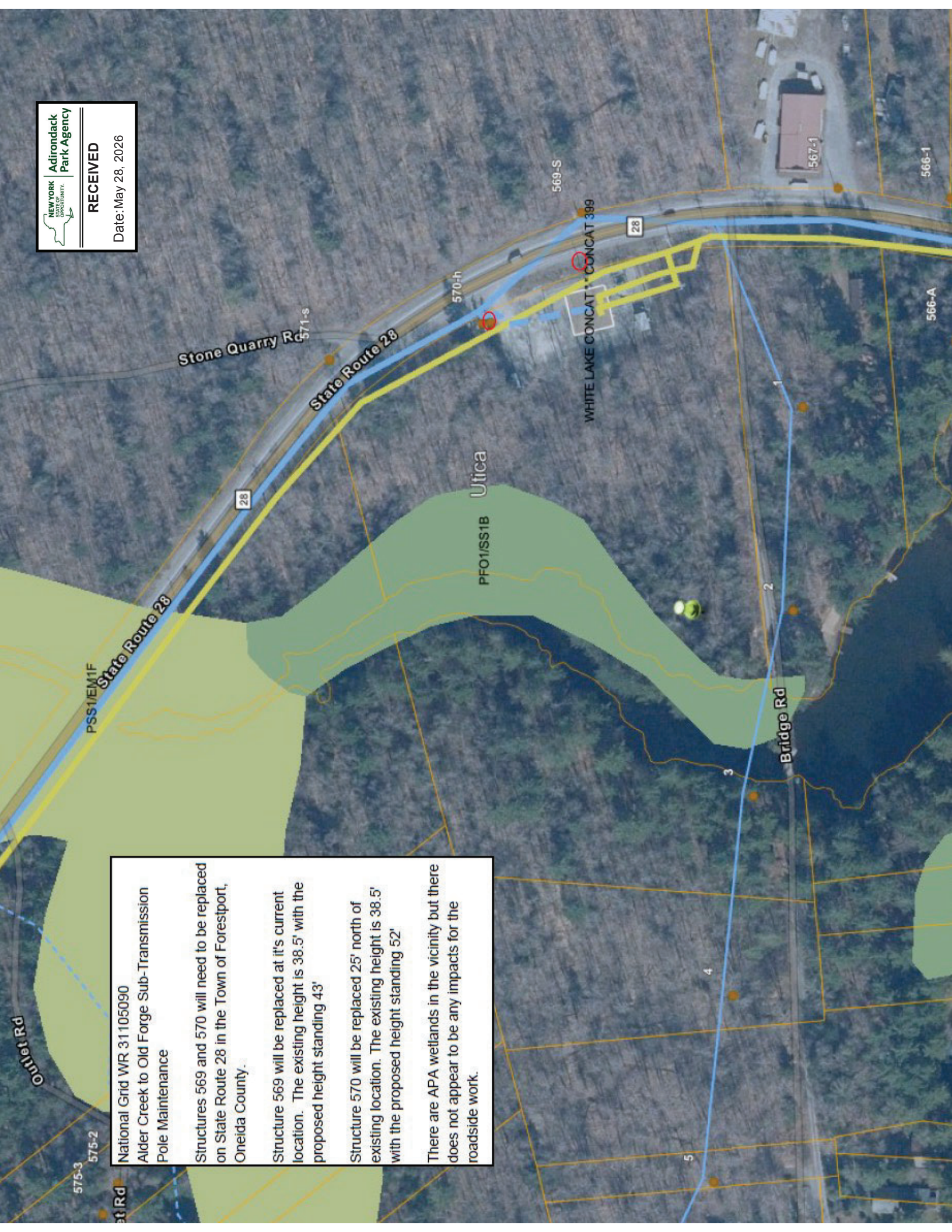




RECEIVED

Date: May 28, 2026



National Grid WR 31105090
 Alder Creek to Old Forge Sub-Transmission
 Pole Maintenance

Structures 569 and 570 will need to be replaced on State Route 28 in the Town of Forestport, Oneida County.

Structure 569 will be replaced at its current location. The existing height is 38.5' with the proposed height standing 43'

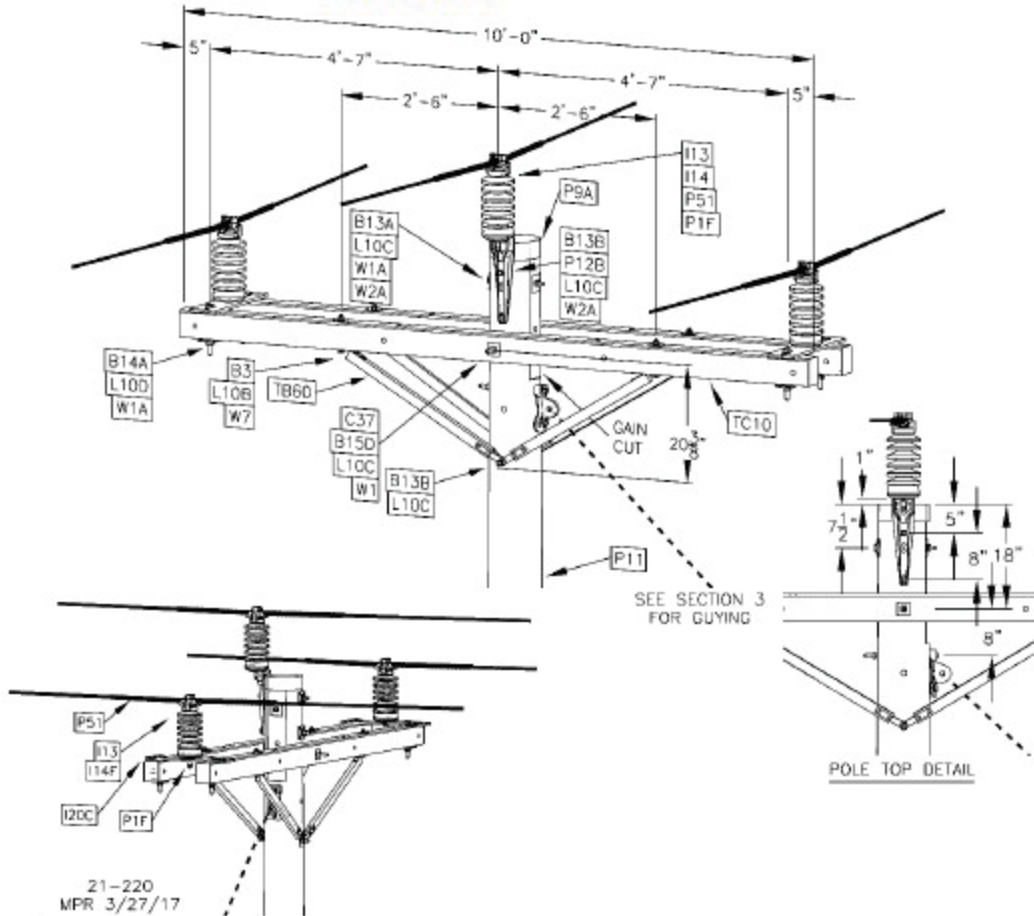
Structure 570 will be replaced 25' north of existing location. The existing height is 38.5' with the proposed height standing 52'

There are APA wetlands in the vicinity but there does not appear to be any impacts for the roadside work.



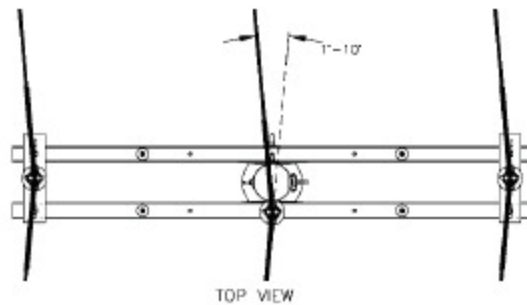
Share

MU = @21-220(X)KV(W)	Double Crossarm Pole Top, 2 - 10 Degree Angle	SUB-T ACCOUNTING
MU = @21-220(X)KV(W)DACCT	Double Crossarm Pole Top, 2 - 10 Degree Angle	SUB-T WITH DISTRIBUTION ACCOUNTING
(X) = 25, 35 OR 46		
(W) = 1/0AAAC, 336AAC, 336ACSR, 477AAC OR 477ACSR		



VOLTAGE	POST INSULATOR ID
25KV	I13B1
35KV	I13D1
46KV	I13L

CONDUCTOR	CONDUCTOR ID	PREFORMED LINE GUARD ID	TRUNNION CLAMP ID
1/0 AAC	W20A	P51L	I14C
336 AAC	W20B	P51M	I14E
336 ACSR	TC52	P51G	I14E
477 AAC	W21BA	P51H	I14F
477 ACSR	W21N1	P51J	I14F



Supersedes 7/16 -- Title edit and drawing revision.

25kv, 35kv, 46kv --- DOUBLE ARM, 1 - 10 DEGREE LINE ANGLE

ISSUE	PAGE NUMBER	OVERHEAD CONSTRUCTION STANDARD	nationalgrid
7/17	21-220		